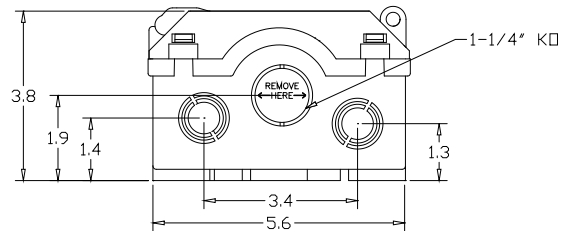
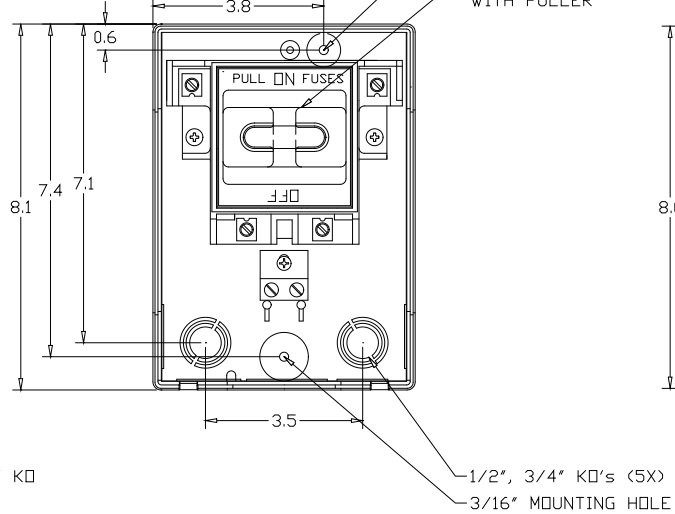
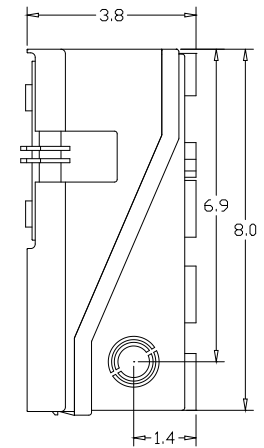
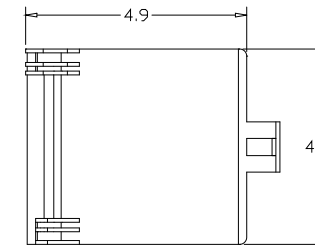
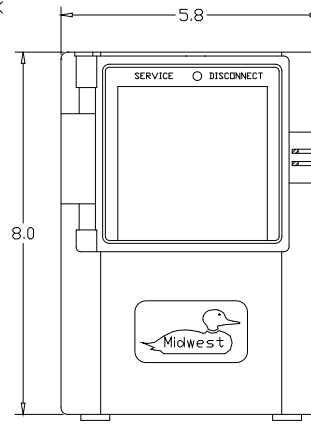
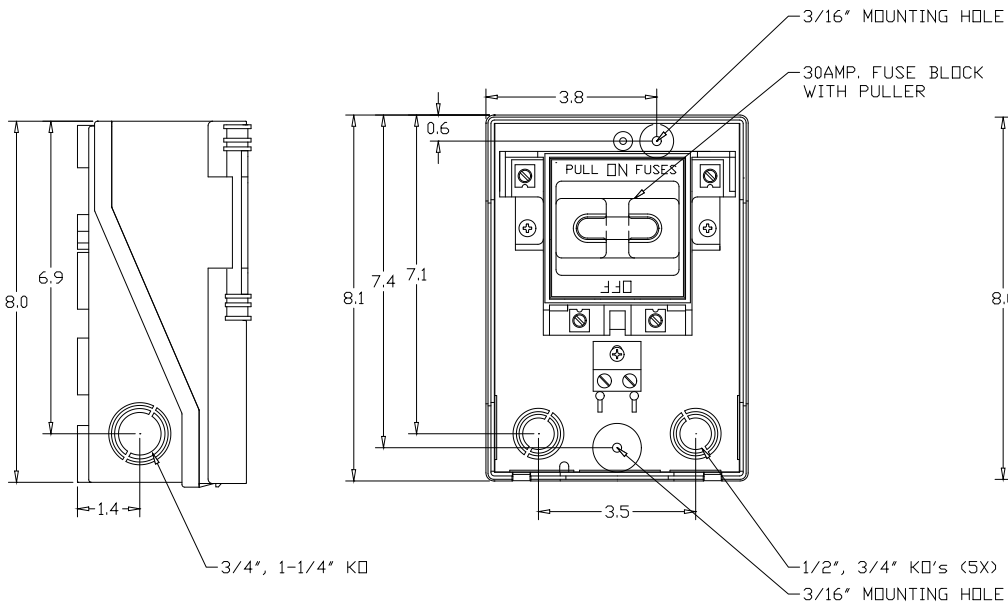


WIRE RANGE TABLE D:

CONNECTOR	COPPER		ALUMINUM	
	SOLID	STRAND	SOLID	STRAND
LINE	14-8	14-2	12-8	12-2
LOAD	14-8	14-2	12-8	12-2
NEUTRAL	-----	-----	-----	-----
EQUIP. GRND.	12-8	12-2	12-8	12-2



SH2

MIDWEST ELECTRIC PRODUCTS, INC.  
 Mankato, MN

Dr. By: JDE  
 Ck. By:  
 CR: R0746662

\* = Critical To Quality  
 Unless Otherwise Specified  
 Tolerances On:  
 3 Pl. Decimals ± .010  
 2 Pl. Decimals ± .030  
 Fractions ± 1/32  
 Angles ± 1/2°  
 Holes ± .003  
 Dimensions Are in Inches

AutoCad Generated

SCALE	SIZE
1 : 1	A

SHEET 1 OF 1

TITLE: P035F  
 OUTLINE DRAWING

DWG NO: 265A6289

Rev.1 CR R0746662 JDE 1-10-08