

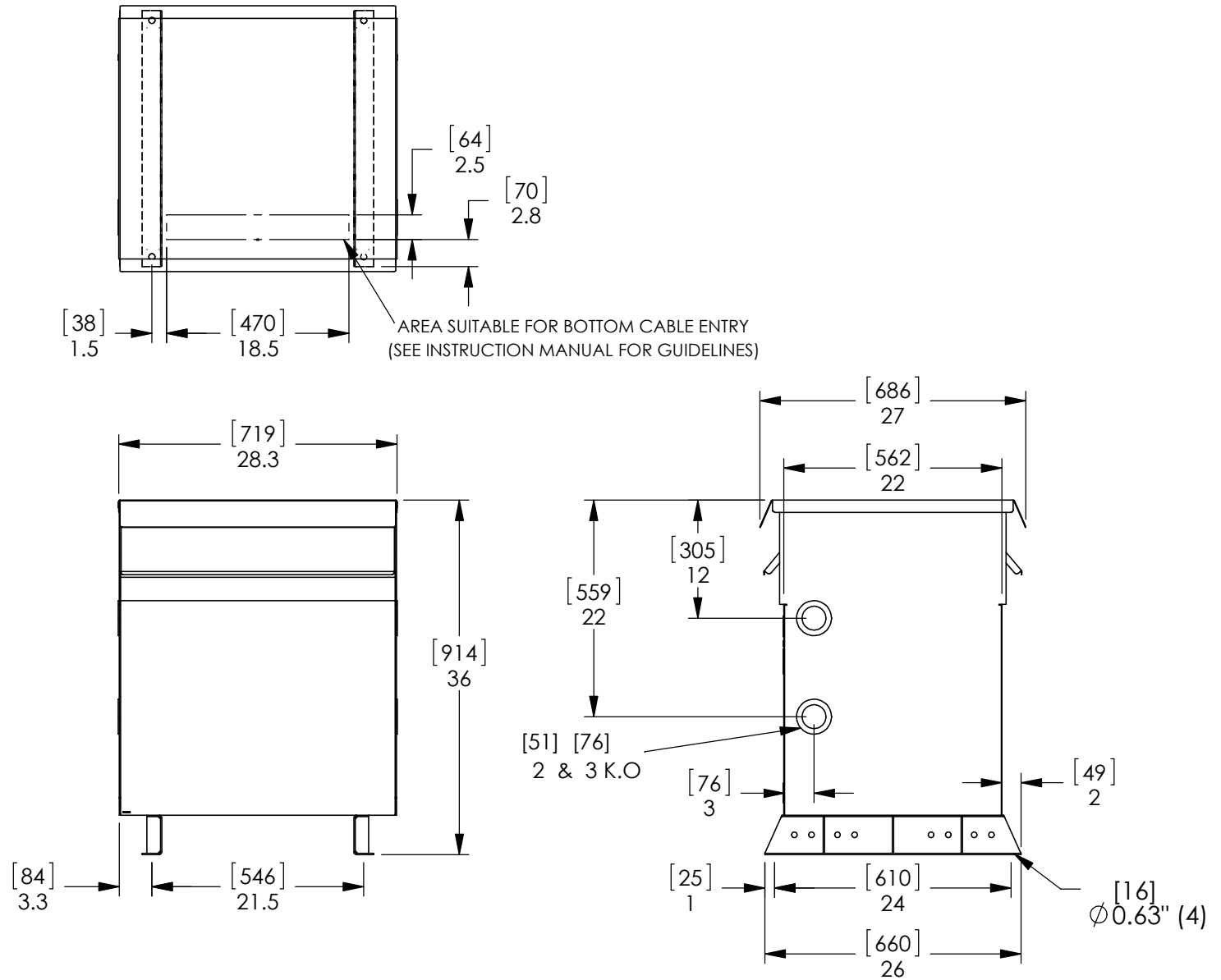


DES'D BY: **KJV**
 DATE: **2015-11-11**

CHK'D BY: **KJV**
 DATE: **11/11/2015**

APP'D BY: **KJV**
 DATE: **2015-11-11**

STD TOLERANCES
 .X = ± 0.1
 .XX = ± 0.06
 .XXX = ± 0.02
 .XXXX = ± 0.005
 ANGLES = ± 0.5°
 HOLE, SLOT SIZE = ± 0.03



DIMENSIONS ARE IN in[mm]