

CABLOFIL CABLE MANAGEMENT

Finishes and Product Features

Cablofil Cable Management is available in a variety of finishes to meet any industry need, from decorative to extreme environments. Use this chart to help you determine the best finish for your application and its availability.

SYMBOL	MATERIAL	FINISH & STANDARD	INTERIOR INSTALLATIONS	EXTERIOR INSTALLATIONS	PETROLEUM PLANTS CHEMICAL PLANTS	MARINE/SALT, WEAK SULPHUROUS ENVIRONMENTS	ACIDIC, ALKALINE ENVIRONMENTS	FOOD PRODUCTION, WASH-DOWN, CLEAN ROOMS	HALOGEN ENVIRONMENTS
PG	Carbon Steel ASTM A653	Pre-Galvanized: Continuous Galvanization Before Fabrication ASTM A 653	●						
EZ	Carbon Steel ASTM A510 Grade 1008	Electro zinc: Electro zinc plating ASTM B 633	●						
GC	Carbon Steel ASTM A510 Grade 1008	Hot Dipped Galvanized: After Fabrication ASTM A 123		●	●	●	●		
DC	Carbon Steel ASTM A510 Grade 1008	Geomet: Zinc and Aluminum Protection Equivalent to Hot Dip Galvanization ASTM F 1136		●	●	●	●		
304L	Stainless Steel AISI Type 304L	Stainless Steel 304L: Cleaned and Passivated ASTM A 380		●	●	●	●	●	●
316L	Stainless Steel AISI Type 316L	Stainless Steel 316L: Cleaned and Passivated ASTM A 380		●	●	●	●	●	●
BL	Carbon Steel ASTM A510 Grade 1008	Black Painted: Black Powder Coated ASTM D 3451	●						
PE	Carbon Steel ASTM A510 Grade 1008	Custom Painted: Custom Color Powder Coated ASTM D 3451	●						

For a more detailed explanation of finish standards and compatibility, visit www.legrand.us/cablofil.

● Recommended ● Possible

Galvanic Corrosion

Galvanic corrosion is the result of an electrochemical phenomenon due to the potential difference between different metals, or between a metal and the impurities it contains, when they are in electrical contact. Be aware of this phenomenon when selecting supports, splices and accessories. The results listed below are based on laboratory conditions and testing. However, in actual installations other conditions need to be considered to determine if significant galvanic reactions will occur.

RECOMMENDED COMPATIBILITY

CABLE TRAY	ACCESSORIES
PG / EZ	PG / EZ
GC	GC / DC
304L / 316L	316L

RECOMMENDED FOR TYPICAL CABLE TRAY

TRAY MATERIAL & FINISH	HARDWARE FINISH			
	ZINC-PLATED	GEOMET	GC	316L
Steel/EZ (Electrozinc)	●	●	●	●
Steel/GC (HDGAF)		●	●	●
Steel/BL (Painted)	●	●	●	●
Steel/PE (Painted)	●	●	●	●
Stainless-steel 304 (Passive)		●	●	●
Stainless-steel 316 (Passive)		●	●	●
Aluminum	●	●		●

● Recommended ● Possible

GALVANIC CORROSION TEXT RESULTS

SECONDARY MATERIAL (HARDWARE)	PRIMARY MATERIAL (TRAY)							
	STAINLESS-STEEL 304L	NICKLE	COPPER	BRASS	CARBON STEEL	ALUMINIUM	CHROMIUM	ZINC
Stainless-steel 304L	0							
Nickle	180	0						
Copper	320	140	0					
Brass	400	220	80	0				
Carbon Steel	750	570	430	350	0			
Aluminum	840	660	520	440	90	0		
Chromium	950	770	630	550	200	110	0	
Zinc	1150	970	830	750	400	310	200	0

The potential differences are expressed in millivolts. Shaded secondary materials in combination with primary materials listed above is not recommended.

Conditions

Lab Tests

- Submerged in seawater
- Equal mass materials
- Great connection

Typical Cable Tray Installation

- Wet/dry cycles not constant immersion
- Primary material may be 100 times greater
- Electrical current/connector

CABLOFIL PRODUCT CODE

Our part number makes it easy to identify part type, size and finish. Please use this code whenever ordering or specifying any Cablofil product.

FOR TRAY			
TYPE OF TRAY	DEPTH IN MM	WIDTH IN MM	FINISH CODE
CF	54	100	EZ

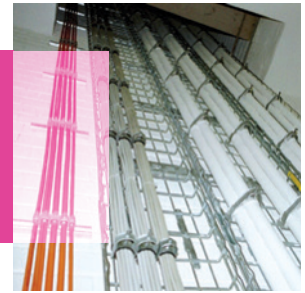
FOR SUPPORTS AND OTHER PRODUCTS		
PRODUCT CODE	SIZE IN MM	FINISH CODE
FASC	300	PG

SYMBOLS LEGEND

Use these symbols to guide you through our catalog of innovative cable management products.



WALL MOUNTINGS



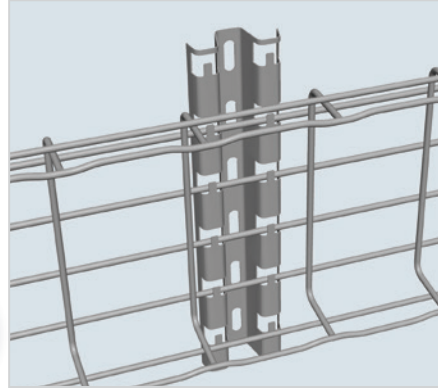
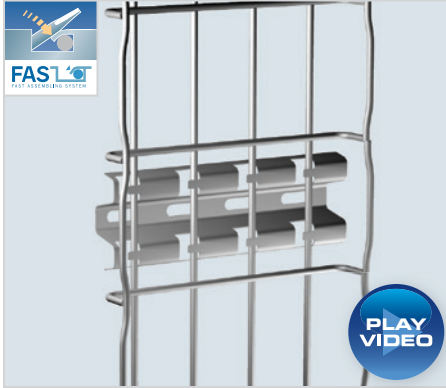
- 29 FAS P**
PROFILE
- 29 FV**
VERTICAL BRACKET
- 30 FAS L**
BRACKET
- 30 WTSB**
WALL TOP SADDLE BRACKET
- 31 FAS C**
BRACKET
- 32 FAS U**
UNIVERSAL BRACKET
- 33 EDF**
RAIL
- 34 CS**
STANDARD L BRACKET
- 34 CSC**
STANDARD C BRACKET
- 35 CRP**
UNIVERSAL WALL BRACKET
- 35 C 50**
WALL MOUNT ATTACHMENT
- 36 UC 50**
CABLE TRAY STANDOFF
- 37 CAT 30/41**
SNAP-IN WALL
HANGER SUPPORT



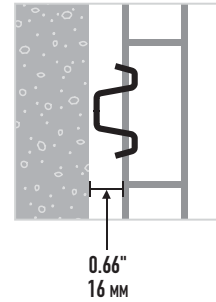
Many Cablofil wall supports utilize our unique Fast Assembly System (FAS). This system utilizes simple one-step locking tabs that require no additional hardware to secure tray runs to its supports, reducing installation time and saving money. Also available are standard wall supports that require bolted connections to the tray. This comprehensive range of wall supports in multiple finishes allows for every possible installation you will need.



FAS P
FAS PROFILE

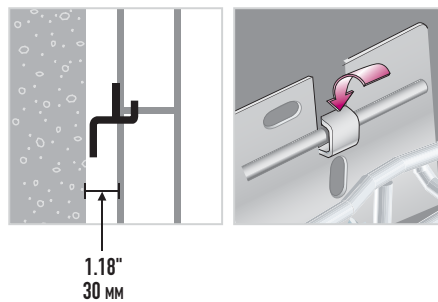


- Pre-drilled mounting holes make installations easy.
- Patented FAS style attachment secures tray without nuts and bolts.
- Will hold tray away from wall 0.66".



	LENGTH		WEIGHT		PG	GC	316L	BL	PE
	INCHES	MM	LBS	KG					
FASP 150	6.0	150	0.4	0.2	014 150	014 153	014 154	941 153	930 012
FASP 200	8.0	200	0.7	0.3	014 200	014 203	014 204	941 154	930 014
FASP 300	12.0	300	0.9	0.4	014 300	014 303	014 304	941 155	930 016
FASP 400	16.0	400	1.1	0.5	014 400	014 403	014 404	941 156	930 018
FASP 450	18.0	450	1.2	0.6	014 450	014 453	014 454	941 157	930 020
FASP 500	20.0	500	1.3	0.6	014 500	014 503	014 504	941 158	930 022
FASP 550	22.0	550	1.3	0.6	014 550	014 553	014 554	941 159	930 024
FASP 600	24.0	600	1.5	0.7	014 600	014 603	014 604	941 160	930 026
FASP 700	28.0	700	1.8	0.8	014 700	014 703	014 704	941 162	930 028
FASP 1000	40.0	1000	2.6	1.2	014 010	014 013	014 014	941 149	930 006
FASP 2000	80.0	2000	5.3	2.4	014 020	014 023	014 024	941 151	930 008
FASP 3000	120.0	3000	7.9	3.6	014 030	014 033	014 034	941 152	930 010

FV
VERTICAL BRACKET



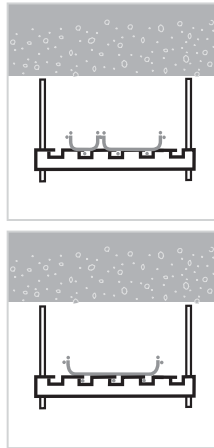
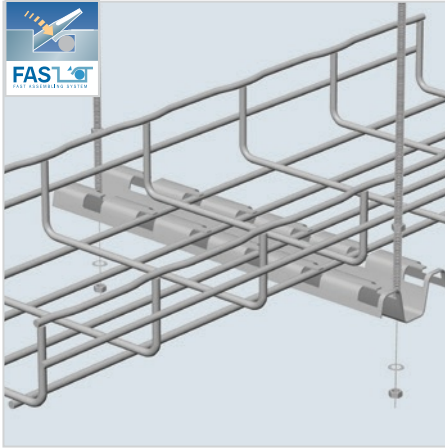
- Unique support keeps tray secure vertically.
- Fold-over tabs secure tray; no additional hardware needed.
- Uses 2 supports for tray widths of 18" or more.
- Use on 6" and wider tray.

	LENGTH		WEIGHT		PG	GC	316L	BL	PE
	INCHES	MM	LBS	KG					
FV 1	8.0	200	0.7	0.3	586 070	586 073	586 074	942 805	*

*Product number was not available at time of print.



FAS P FAS PROFILE

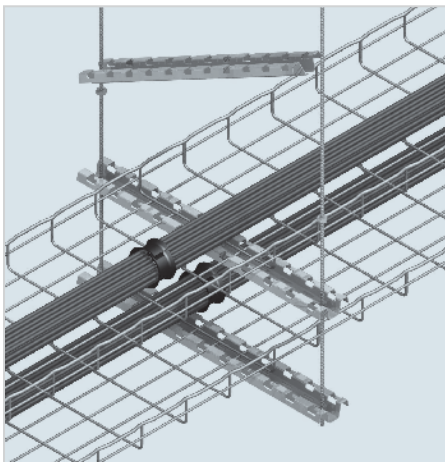


- For trapeze hung installations, use 4" longer profile than tray width. Example: for CF 54/300 tray (12") use FAS P400 (16").
- Maximum threaded rod size is 3/8". For use with larger sizes of threaded rod, bracket holes must be drilled larger.
- Patented FAS style attachment secures tray without nuts and bolts.
- Threaded rods, nuts and washers sold separately.
- Notify Customer Service when placing order.



	TRAY WIDTH		LENGTH		WEIGHT		PG	GC	316L	BL	PE
	INCHES	MM	INCHES	MM	LBS	KG					
FASP 150	2.0	50	6.0	150	0.4	0.2	014 150	014 153	014 154	941 153	930 012
FASP 200	4.0	100	8.0	200	0.7	0.3	014 200	014 203	014 204	941 154	930 014
FASP 300	Multiple		12.0	300	0.9	0.4	014 300	014 303	014 304	941 155	930 016
FASP 400	12.0	300	16.0	400	1.1	0.5	014 400	014 403	014 404	941 156	930 018
FASP 450	14.0	350	18.0	450	1.2	0.5	014 450	014 453	014 454	941 157	930 020
FASP 500	16.0	400	20.0	500	1.3	0.6	014 500	014 503	014 504	941 158	930 022
FASP 550	18.0	450	22.0	550	1.3	0.6	014 550	014 553	014 554	941 159	930 024
FASP 600	20.0	500	24.0	600	1.5	0.7	014 600	014 603	014 604	941 160	930 026
FASP 700	24.0	600	28.0	700	1.8	0.8	014 700	014 703	014 704	941 162	930 028
FASP 1000	Multiple		40.0	1000	2.6	1.2	014 010	014 013	014 014	941 149	930 006
FASP 2000	Multiple		80.0	2000	5.3	2.4	014 020	014 023	014 024	941 151	930 008
FASP 3000	Multiple		120.0	3000	7.9	3.6	014 030	014 033	014 034	941 152	930 010

SON SLIP-ON LOCK NUT®

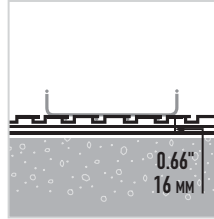
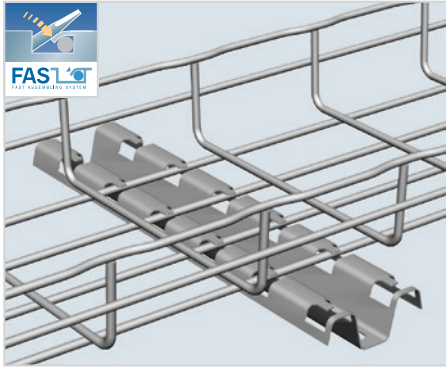


- Install additional tiers to existing trapeze hung cable pathways with ease.
- To install, place slip-on nut onto threaded rod, rotate nut halves, tighten halves to lock in place.
- FASP end slots require being "opened up" to install on threaded rod(s).

	PKG QTY	THREAD SIZE	EZ	304L
SON1/4	2	1/4 - 20	943 351	*
SON3/8	2	3/8 - 18	943 352	943 355
SON1/2	2	1/2 - 12	943 353	943 356
SON5/8	2	5/8 - 11	943 354	*

*Product number was not available at time of print.

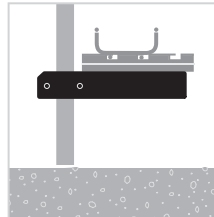
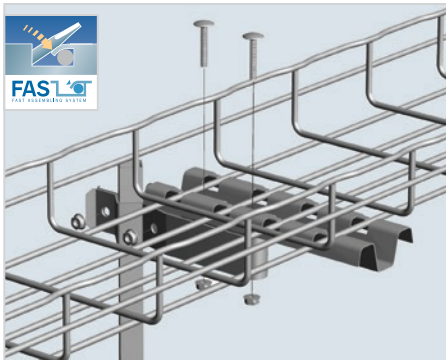
FAS P
FAS PROFILE



- Pre-drilled holes make installation easy.
- Will hold tray away from floor 0.66".
- Saves installation time – patented FAS style attachment hold Cablofil tray secure without nuts and bolts.

	LENGTH		WEIGHT		PG	GC	316L	BL	PE
	INCHES	MM	LBS	KG					
FASP 150	6.0	150	0.4	0.2	014 150	014 153	014 154	941 153	930 012
FASP 200	8.0	200	0.7	0.3	014 200	014 203	014 204	941 154	930 014
FASP 300	12.0	300	0.9	0.4	014 300	014 303	014 304	941 155	930 016
FASP 400	16.0	400	1.1	0.5	014 400	014 403	014 404	941 156	930 018
FASP 450	18.0	450	1.2	0.6	014 450	014 453	014 454	941 157	930 020
FASP 500	20.0	500	1.3	0.6	014 500	014 503	014 504	941 158	930 022
FASP 550	22.0	550	1.3	0.6	014 550	014 553	014 554	941 159	930 024
FASP 600	24.0	600	1.5	0.7	014 600	014 603	014 604	941 160	930 026
FASP 700	28.0	700	1.8	0.8	014 700	014 703	014 704	941 162	930 028
FASP 1000	40.0	1000	2.6	1.2	014 010	014 013	014 014	941 149	930 006
FASP 2000	80.0	2000	5.3	2.4	014 020	014 023	014 024	941 151	930 008
FASP 3000	120.0	3000	7.9	3.6	014 030	014 033	014 034	941 152	930 010

UFCN
UNDER FLOOR CLAMP



- UFCN includes clamp, pre-assembled FAS Profile, nuts and bolts.
- Clamp attaches to square or round support posts.
- FAS Profile secures tray without additional hardware.
- Adjusts to any height.

	LENGTH		WEIGHT		PG	GC	BL	PE
	INCHES	MM	LBS	KG				
UFCN 150	6	150	2.5	1.0	942 839	*	943 149	942 838
UFCN 200	8	200	2.7	1.2	942 448	942 718	942 341	942 413
UFCN 300	12	300	3.0	1.4	942 449	942 719	942 342	942 414

*Product number was not available at time of print.