



UPC Code: 07847716837

Country Of Origin: Mexico

1288

Item Description

30 Amp, 120/277 Volt, Toggle Double-Throw Ctr-OFF Maintained Contact Double-Pole AC Quiet Switch, Extra Heavy Duty Spec Grade, Grounding, Back & Side Wired, - Brown

Technical Information

AC Horsepower Ratings

HP Rating: 2HP-120V 2HP-240V-277V

Electrical Specifications

Amperage: 30 A

Dielectric Voltage: Withstands 1500V for 1 minute

Endurance: 50,000 cycles minimum

Grounding: Self-Grounding

Overload UL20 Test: 100 cycles of OL at 4.8 times rated current

Temperature Rise: Maximum 30 degrees C rise

Voltage: 120/277 VAC

Environmental Specifications

Flammability: Rated V-2 per UL 94

Operating Temperature: -40°C to 65°C

Material Specifications

Base Material: Thermoplastic

Color: Brown

Contact Material: Silver Alloy

Cover Material: Thermoplastic

Ground Clips: Brass

Grounding Screw: Brass 8-32

Strap Material: Steel

Terminal Screws: Brass 8-32

Toggle: Polycarbonate

Mechanical Specifications

Product ID: Ratings are permanently marked on device

Terminal Accom.: 14-#10 AWG back wired; #14-#12 AWG side wired

Terminal ID: Brass-Hot Black-Hot White-Neutral Green-Gnd

Torque Range: 12-14 inch pounds

Termination: Back or Side Wire

Product Features

Body Material: Thermoplastic

Color: Brown

Feature: Maintained Contact CTR OFF

Grounding: Self-Grounding

HP Rating: 2HP-120V 2HP-240V-277V

Strap Material: Steel

Voltage: 120/277 VAC

Function: Double-Pole Double-Throw

Grade: Extra Heavy-Duty Industrial Specification Grade

Device Type: Toggle Switch

Standards and Certifications

ANSI: C-73

CSA C22.2 No. 111: File #152105

NEMA: WD-1 & WD-6

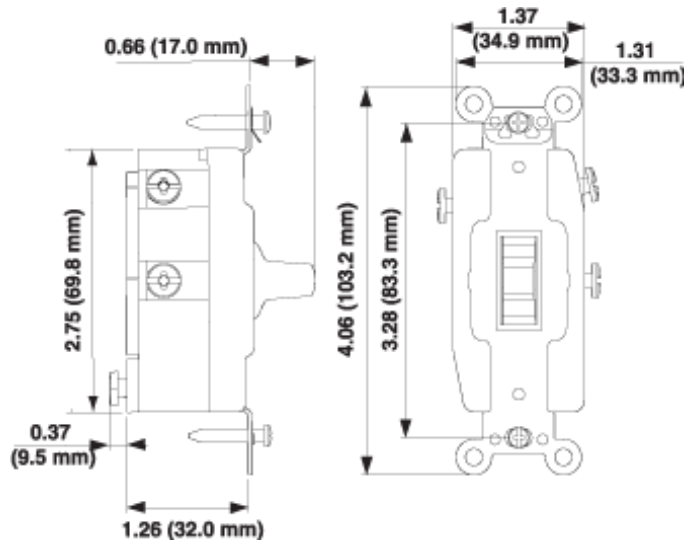
NOM: 057

RoHS: Compliant

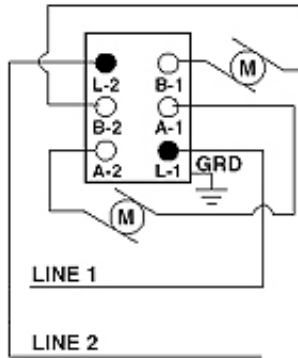
UL Fed Spec WS896E: File #E7458

UL Standard: UL 20

Warranty: 10 Year Limited



Wiring Diagram
Double-Pole, Double Throw
(DPDT) Center OFF



SPECIFICATION SUBMITTAL

JOB NAME: <input type="text"/>	CATALOG NUMBERS: <input type="text"/>	
JOB NUMBER: <input type="text"/>	<input type="text"/>	<input type="text"/>

Leviton Manufacturing Co., Inc.

201 North Service Road, Melville, NY 11747

Teléfono: +1-800-323-8920 · FAX: +1-800-832-9538 · Tech Line (8:30AM-7:30PM E.S.T. Monday-Friday): +1-800-824-3005

Leviton Manufacturing of Canada, Ltd.

165 Hymus Boulevard, Pointe Claire, Quebec H9R 1E9 · Telephone: +1-800-469-7890 ·

FAX: +1-800-824-3005 · www.leviton.com/canada

Leviton S. de R.L. de C.V.

Lago Tana 43, Mexico DF, Mexico CP 11290 · Tel.: (+52)55-5082-1040 · FAX: (+52)5386-

1797 · www.leviton.com.mx

Visit our Website at: www.leviton.com

© 2018 Leviton Manufacturing Co., Inc. Todos los derechos reservados. Subject to change without notice.

Leviton has a global presence.

If you would like to know where your local Leviton office is located please go to:

www.leviton.com/international/contacts/

