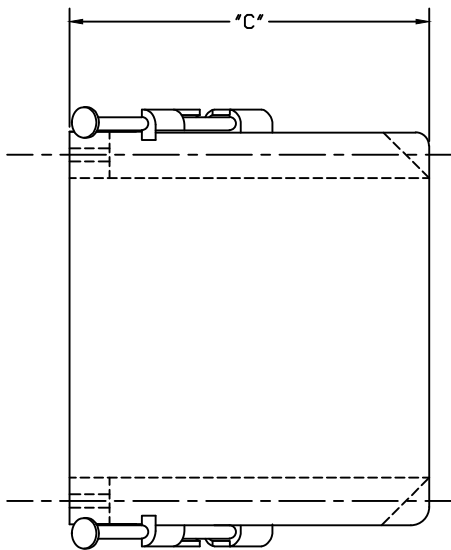
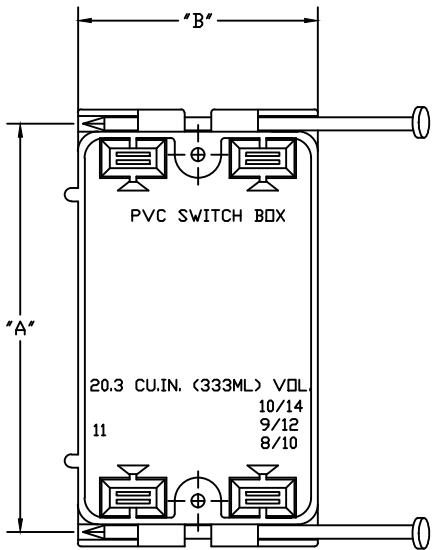
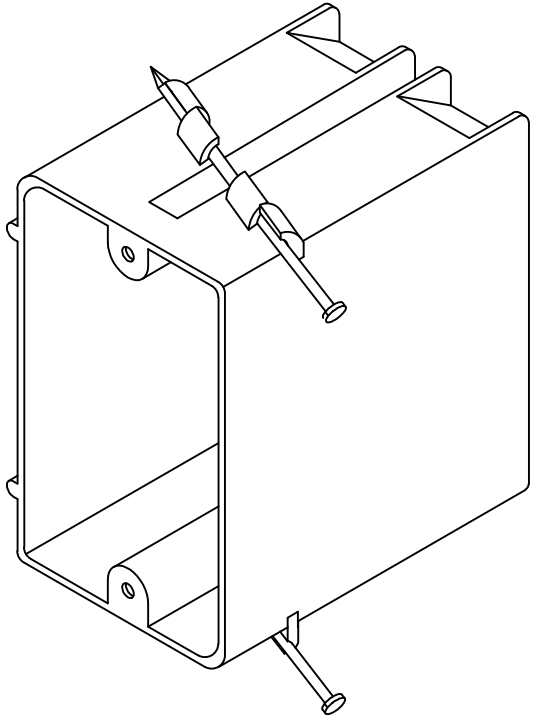


PART NUMBER	SIZE	"A"	"B"	"C"
EZ20SNW	2 ¼" X 3 ⅝" X 3 ¼" four knockouts Enhanced angled nails for quick mounting between studs	3 ⅞"	2 ¼"	3 ⅞"



ETL Listed
 Conforms to UL Std. 514C
 2-HR Fire Wall Rating
 ETL Control # 3107144
 Suitable for Masonry Walls
 Material is Rigid PVC



CANTEX INC. Fort Worth, TEXAS		
Single Gang EZ Box 20.3 Cubic Inch, Nail On Single Gang Nonmetallic Nail On Boxes		
Drawn By: D. Gwinn	Date: 3/20/18	Ref. EZ20SNW