

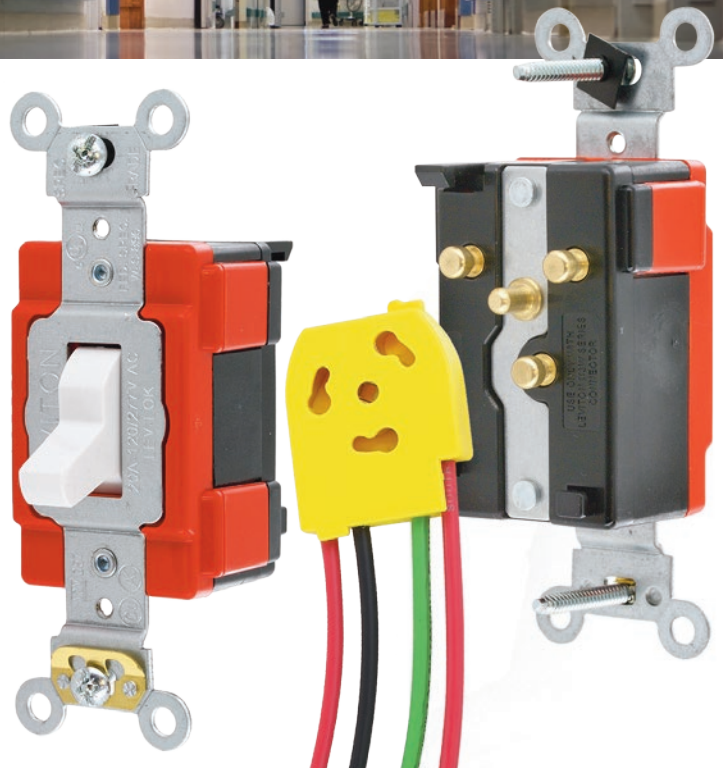
lev-lok[®]

Modular Wiring Devices

15A & 20A 120/277V AC 3-Way Toggle Switches
Extra Heavy Duty Specification Grade, Fed Spec Rated

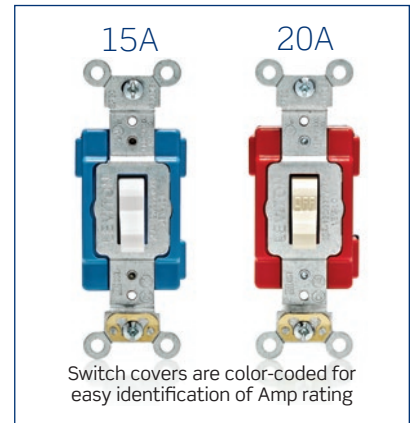
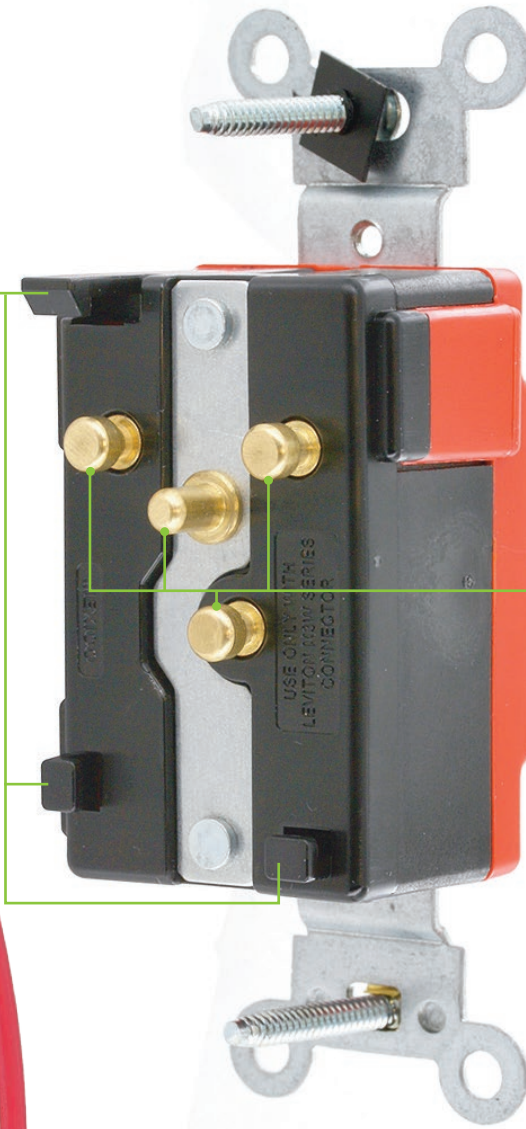
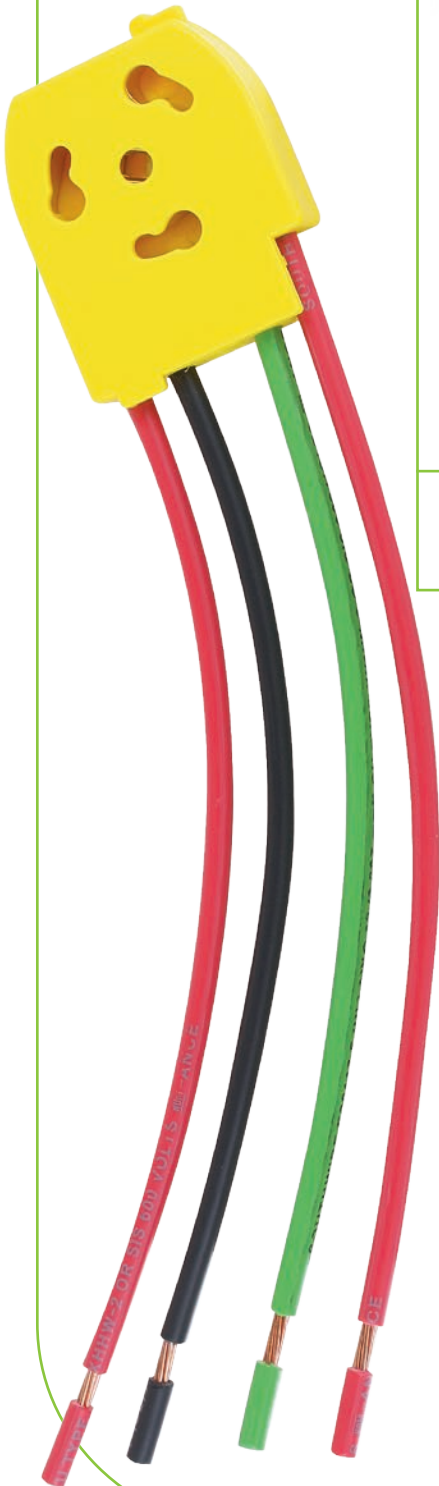


The revolutionary Lev-Lok modular wiring device platform has been expanded to include 3-Way Toggle Switches. Designed to correspond closely to the existing Leviton Lev-Lok toggle switch line in aesthetics, function and performance, the Lev-Lok 3-way switches employ a simple twist and lock wiring module. This ensures a safe, reliable connection while at the same time providing fast, easy installation. The unique wiring modules for these switches are 20A-347V AC Max. rated and are keyed so they cannot be installed incorrectly; the wiring module is quickly and securely engaged with a simple clockwise rotation.



Features

- Three latches mate with wiring module for added security



- Terminal posts are solid brass for strong, secure connection between switch and wiring module

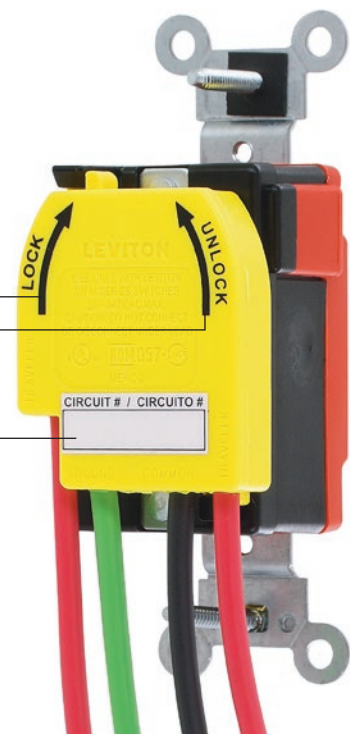
- Protective cover prevents debris from entering contacts until ready to connect to switch



- Wiring module is quickly and securely engaged with a simple clockwise rotation.

- Simply rotate module counter-clockwise to disengage

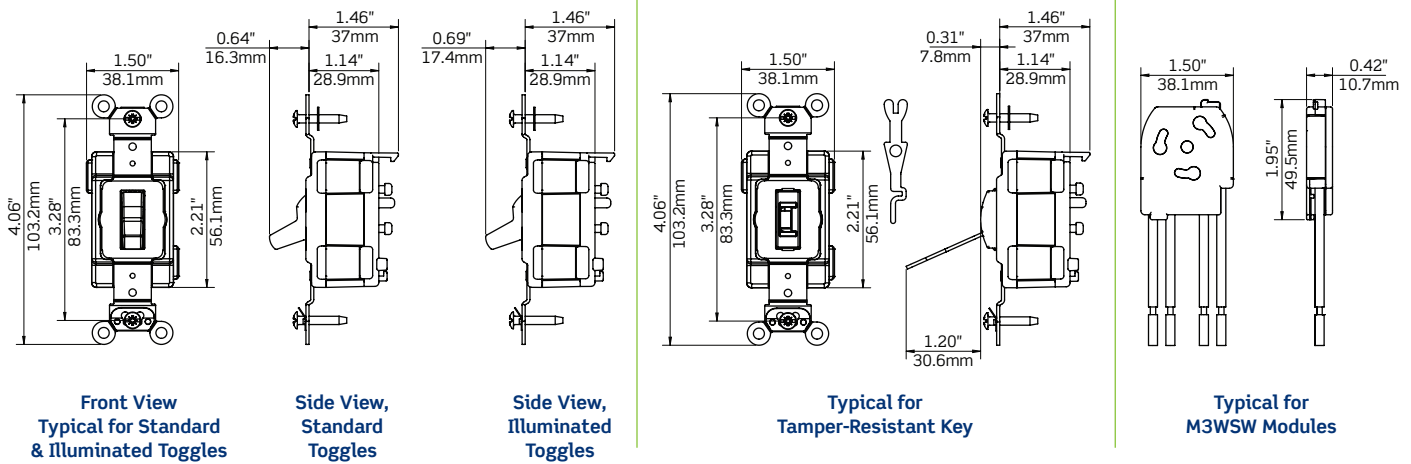
- Wiring module includes factory installed circuit ID label so that electricians can save a step by labeling device locations during rough-in



Specifications

	Standard Toggle		Illuminated Toggle		Tamper-Resistant Key	
Toggle Color						
Brown	M1203	M1223	M1203-LHI	M1223-LHI	M1203-L	M1223-L
Ivory	M1203-I	M1223-I	—	—	M1203-IL	M1223-IL
White	M1203-W	M1223-W	M1203-LHW	M1223-LHW	—	M1223-WL
Red	M1203-R	M1223-R	—	—	—	M1223-RL
Gray	M1203-GY	M1223-GY	—	—	—	M1223-GL
Black	—	M1223-E	—	—	—	—
Lt Almond	—	M1223-T	—	—	—	—
Clear	—	—	M1203-LHC	M1223-LHC	—	—
Electrical Specifications						
Amperage	15A	20A	15A	20A	15A	20A
Voltage	120/277V AC	120/277V AC	120V AC	120V AC	120/277V AC	120/277V AC
AC Horsepower Ratings	1/2HP-120V 2HP-240V, 12A Max	1HP -120V 2HP-240V, 16A Max	1/2 HP-120V 12A Max.	1HP-120V 16A Max.	1/2HP-120V 2HP-240V, 12A Max	1HP -120V 2HP-240V, 16A Max
Grounding	Self-Grounding		Self-Grounding		Self-Grounding	
Dielectric Voltage	Withstands 1500V for 1 minute		Withstands 1500V for 1 minute		Withstands 1500V for 1 minute	
Overload UL 20	100 cycles of OL at 4.8 times rated current		100 cycles of OL at 4.8 times rated current		100 cycles of OL at 4.8 times rated current	
Temperature Rise	Maximum 30°C rise		Maximum 30°C rise		Maximum 30°C rise	
Endurance	50,000 cycles minimum		50,000 cycles minimum		50,000 cycles minimum	
Environmental Specifications						
Flammability	Rated V-2 per UL94		Rated V-2 per UL94		Rated V-2 per UL94	
Operating Temperature	-40°C to 65°C		-40°C to 65°C		-40°C to 65°C	
Storage Temperature	-40°C to 65°C		-40°C to 65°C		-40°C to 65°C	
Material Specifications						
Dome	Nylon		Nylon		Nylon	
Base	PBT		PBT		PBT	
Cover	Nylon		Nylon		Nylon	
Strap	.050" Thick Galvanized Steel		.050" Thick Galvanized Steel		.050" Thick Galvanized Steel	
Toggle	Polycarbonate		Polycarbonate		Polycarbonate	
Contacts	Silver Alloy		Silver Alloy		Silver Alloy	
Ground Clip	Brass		Brass		Brass	
Mechanical Specifications						
Product ID	Markings are permanently marked on device		Markings are permanently marked on device		Markings are permanently marked on device	
Standards & Certifications						
NEMA	WD-1, WD-6		WD-1, WD-6		WD-1, WD-6	
UL Fed Spec	WS896		WS896		WS896	
UL Standard	UL 20		UL 20		UL 20	
NOM	057		057		057	
cULus	File # E7458		File # E7458		File # E7458	
Warranty	10 year limited		10 year limited		10 year limited	

Dimensions



Ordering Information

3-Way Toggle Switches					
Description	Color	Cat No.	Description	Color	Cat No.
15A, Standard	Brown	M1203	15A, Illuminated	Ivory	M1203-LHI
15A, Standard	Ivory	M1203-I	15A, Illuminated	White	M1203-LHW
15A, Standard	White	M1203-W	15A, Illuminated	Clear	M1203-LHC
15A, Standard	Red	M1203-R	20A, Illuminated	Ivory	M1223-LHI
15A, Standard	Gray	M1203-GY	20A, Illuminated	White	M1223-LHW
20A, Standard	Brown	M1223	20A, Illuminated	Clear	M1223-LHC
20A, Standard	Ivory	M1223-I	15A, Tamper-Resistant Key	Brown	M1203-L
20A, Standard	White	M1223-W	15A, Tamper-Resistant Key	Ivory	M1203-IL
20A, Standard	Red	M1223-R	20A, Tamper-Resistant Key	Brown	M1223-L
20A, Standard	Gray	M1223-GY	20A, Tamper-Resistant Key	Ivory	M1223-IL
20A, Standard	Black	M1223-E	20A, Tamper-Resistant Key	White	M1223-WL
20A, Standard	Lt. Almond	M1223-T	20A, Tamper-Resistant Key	Red	M1223-RL
			20A, Tamper-Resistant Key	Gray	M1223-GL

Modules for 3-Way Switches, 20A - 347V AC Max.					
Description	Module Color	Wire Type	Lead Lengths	Lead Colors	Cat No.
Stranded Wire Leads #12	Yellow	XHHW-2	6"	Black, Red, Red, Green	M3WSW-OST
Stranded Wire Leads #12 with 4-port pushwire connectors	Yellow	XHHW-2	6"	Black, Red, Red, Green	M3WSW-WST
Stranded Wire Leads #12 for 277V Lighting Applications	Yellow	XHHW-2	6"	Brown, Yellow, Yellow, Green	M3WSW-7ST

Leviton Manufacturing Co., Inc.

201 North Service Road, Melville, NY 11747
 Telephone: 1-800-323-8920 • Fax: 1-800-832-9538 • Tech Line (8:30AM-7:00PM E.S.T. Monday-Friday): 1-800-824-3005

Leviton Manufacturing of Canada, Ltd.

165 Hymus Blvd, Pointe-Claire, QC H9R 1E9
 Telephone: 1-800-469-7890 • Fax: 1-800-563-1853

Leviton S. de R.L. de C.V.

Lago Tana 43, Col. Huichapan, Miguel Hidalgo, CP 11290 México DF
 Telephone: (+52) 55-5082-1040 • Fax: (+52) 55-5386-1797 • www.leviton.com.mx

Visit our Website at: www.leviton.com/commercial email: commercial@leviton.com

© 2014 Leviton Manufacturing Co., Inc. All rights reserved.

