

2330



UPC Code: 07847780980

Country Of Origin: Mexico

NEMA:
L7-20R



Brand Features

Leviton's Industrial Grade Locking Devices are built to provide unparalleled quality and superior performance in the most severe industrial settings. Leviton combines the best materials available with superior production standards to produce a broad selection of Locking Devices of unmatched flexibility and dependability.

Item Description

20 Amp, 277 Volt, NEMA L7-20R, 2P, 3W, Flush Mtg Locking Receptacle, Industrial Grade, Grounding, V-0-MAX - BLACK

Technical Information

AC Horsepower Ratings

Horsepower Rating: 2 HP

Electrical Specifications

Grounding: Grounding

Amperage: 20 A

Voltage: 277 VAC

Pole: 2

Wire: 3

Dielectric Voltage: Withstands 2000V per UL498

Current Limiting: Full Rated Current

Temperature Rise: Max 30C after 250 cycles OL at 200 percent rated current

Environmental Specifications

Flammability: Rated V-0 per UL 94

Operating Temperature: -40°C to 60°C

Material Specifications

Face Material: Ultramid

Base Material: Valox

Line Contacts: Brass

Terminal Screws: Chromated Brass

Grounding Screw: Chromated Brass

Body Material: Nylon

Cover Material: Valox 357

Strap Material: Nickel-Plated Brass

Color: Black

Terminal Clamps: Nickel-Plated Brass

Ground Contacts: Brass

Mechanical Specifications

Terminal ID: Marked on Device

Terminal Accom.: 14-8 AWG

Product ID: Ratings and NEMA I.D. permanently marked on device

Termination: Back & Side

Product Features

Face Material: Ultramid

NEMA: L7-20R

Base Material: Valox

Color: Black

Warranty: Lifetime Limited

Standards and Certifications

NEMA: WD-1 & WD-6

ANSI: C-73

NOM: 057

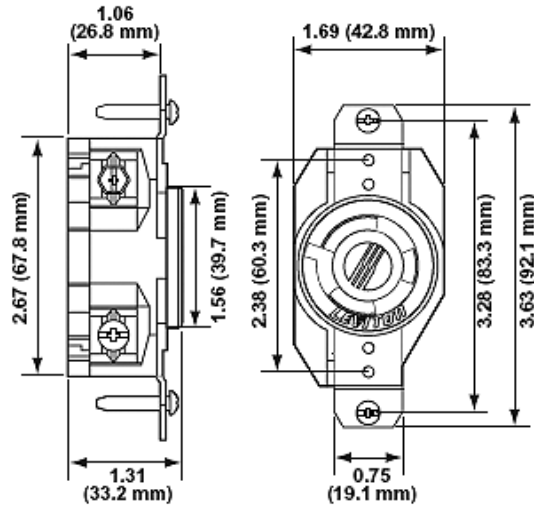
UL: 498

CSA: C22.2 No. 42

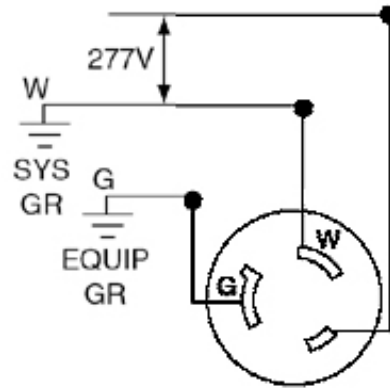
UL Fed Spec: W-C-596

Warranty

Warranty: Lifetime Limited



Wiring Diagram



L7-20R

SPECIFICATION SUBMITTAL

JOB NAME:	CATALOG NUMBERS:	
<input type="text"/>	<input type="text"/>	<input type="text"/>
JOB NUMBER:	<input type="text"/>	<input type="text"/>

Leviton Manufacturing Co., Inc.

201 North Service Road, Melville, NY 11747

Teléfono: +1-800-323-8920 · FAX: +1-800-832-9538 · Tech Line (8:30AM-7:30PM E.S.T. Monday-Friday): +1-800-824-3005

Leviton Manufacturing of Canada, Ltd.

165 Hymus Boulevard, Pointe Claire, Quebec H9R 1E9 · Telephone: +1-800-469-7890 ·

FAX: +1-800-824-3005 · www.leviton.com/canada

Leviton S. de R.L. de C.V.

Lago Tana 43, Mexico DF, Mexico CP 11290 · Tel.: (+52)55-5082-1040 · FAX: (+52)5386-

1797 · www.leviton.com.mx

Visit our Website at: www.leviton.com

© 2018 Leviton Manufacturing Co., Inc. Todos los derechos reservados. Subject to change without notice.

Leviton has a global presence.

If you would like to know where your local Leviton office is located please go to:

www.leviton.com/international/contacts/

