



MT163-W

Brand Features

The Lev-Lok® Modular Wiring Device System is engineered for fast and easy installation. These devices employ a simple twist and lock wiring module that ensures a safe, reliable connection while at the same time providing for extremely fast and easy installation. Lev-Lok brand wiring devices address the reliability and performance concerns of specification engineers without sacrificing the contractor's need for fast, easy installation. Available in extra heavy duty hospital and industrial grades, and heavy duty commercial grade platforms.

Item Description

Lev-Lok Decora Plus Duplex Receptacle Outlet, Heavy-Duty Industrial Specification Grade, Tamper-Resistant, Smooth Face, 20 Amp, 125 Volt, Modular, NEMA 5-20R, 2-Pole, 3-Wire, Self-Grounding - White
Mating Lev-Lok Wiring Module Required for Use

Color: White

UPC Code: 07847742094

Country Of Origin: Mexico

NEMA:
5-20R



Technical Information

AC Horsepower Ratings

Horsepower Rating: 1 HP

Electrical Specifications

Amperage: 20 A

Voltage: 125 VAC

Pole: 2

Wire: 3

Grounding: Self-Grounding

Dielectric Voltage: Withstands 2000V per UL498

Maximum Working Voltage: 125V as rated

Current Interrupting: Certified for current interrupting at full rated current

Temperature Rise: Max 30C after 250 cycles OL at 200 percent rated current

Environmental Specifications

Flammability: Rated V-2 per UL94

Operating Temperature: -40°C to 60°C

Material Specifications

Cover Material: Nylon

Base Material: Nylon

Mounting Strap: Galvanized Steel with Riveted Ground Contacts

Ground Clips: Brass

Line Contacts: 0.040" Thick Solid Brass

Locking Pins: Solid Brass

Mounting Screws: Triple Combination Head, Steel

Shutter Mechanism: Delrin® Acetal

Mechanical Specifications

Product ID: Ratings are permanently marked on device

Termination: Modular

Product Features

Color: White

NEMA: 5-20R

Device Type: Duplex Receptacle Outlet

Feature 2: Tamper-Resistant

Feature 4: Smooth Face

Grade: Heavy-Duty Industrial Specification Grade

Brand: Lev-Lok Decora Plus

Standards and Certifications

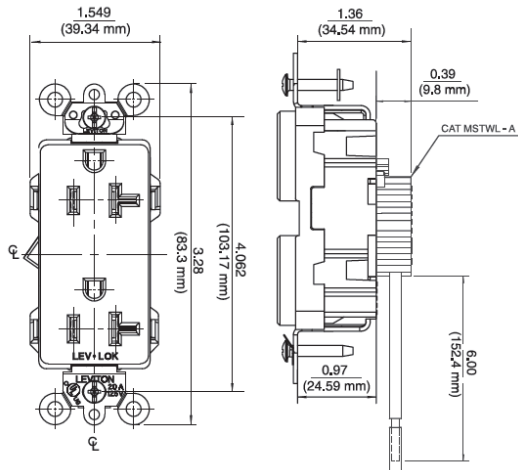
NEMA: WD-1 & WD-6

cULus: Listed

NOM Certified: 057

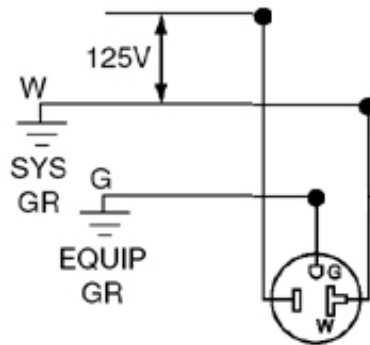
ANSI: C-73

Warranty: 10 Year Limited



Tamper-Resistant

Wiring Diagram



5-20R

SPECIFICATION SUBMITTAL

JOB NAME:	CATALOG NUMBERS:	
<input type="text"/>	<input type="text"/>	<input type="text"/>
JOB NUMBER:	<input type="text"/>	<input type="text"/>

Leviton Manufacturing Co., Inc.

201 North Service Road, Melville, NY 11747

Teléfono: +1-800-323-8920 · FAX: +1-800-832-9538 · Tech Line (8:30AM-7:30PM E.S.T. Monday-Friday): +1-800-824-3005

Leviton Manufacturing of Canada, Ltd.

165 Hymus Boulevard, Pointe Claire, Quebec H9R 1E9 · Telephone: +1-800-469-7890 ·

FAX: +1-800-824-3005 · www.leviton.com/canada

Leviton S. de R.L. de C.V.

Lago Tana 43, Mexico DF, Mexico CP 11290 · Tel.: (+52)55-5082-1040 · FAX: (+52)5386-

1797 · www.leviton.com.mx

Visit our Website at: www.leviton.com

© 2018 Leviton Manufacturing Co., Inc. Todos los derechos reservados. Subject to change without notice.

Leviton has a global presence.

If you would like to know where your local Leviton office is located please go to:

www.leviton.com/international/contacts/

