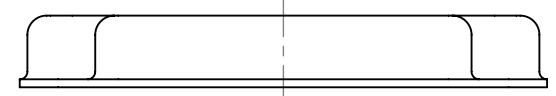
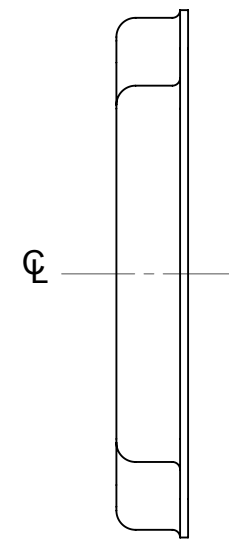
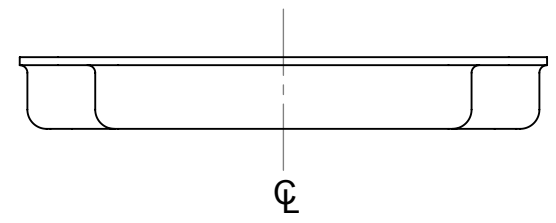
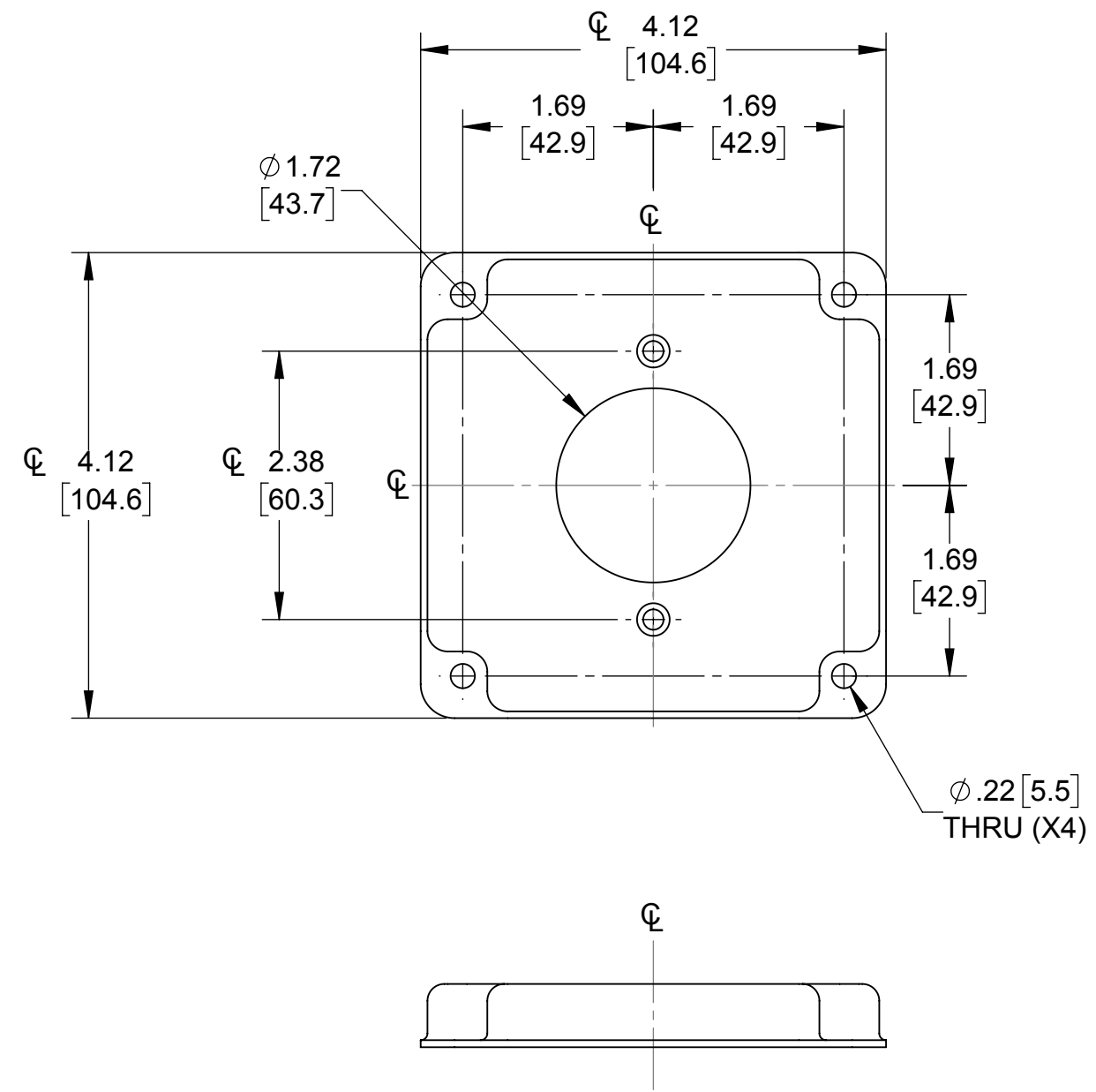
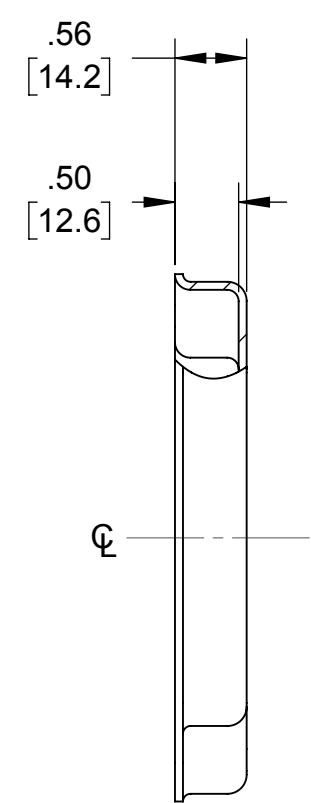
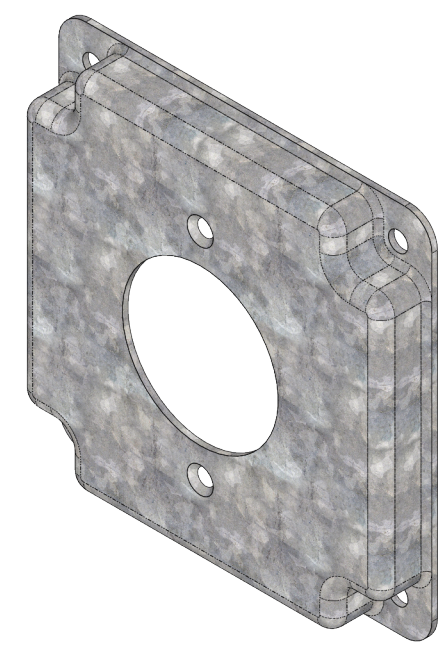
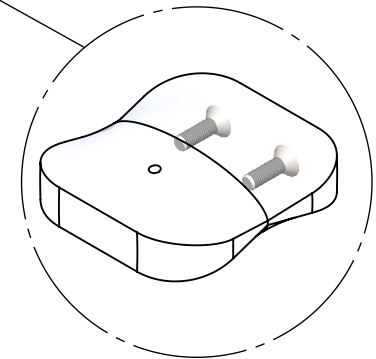


**LIST OF PARTS**

DESCRIPTION	MATERIAL	FINISH
COVER	STEEL	GALVANIZED
SCREWS	STEEL	GALVANIZED

#6-32 X 7/16" COUNTERSINK  
MACHINE SCREWS (QTY.2)



- NOTES:  
 1. ALL DIMENSIONS ARE IN INCHES AND [MILLIMETERS]  
 2. BOX VOLUME: 6.5 IN<sup>3</sup> [107] CM<sup>3</sup>  
 3. UL LISTED

INITIAL RELEASE	RMV	03-31-17
SYM.	REVISION DESCRIPTION	APP DATE

THE DESIGN AND DIMENSIONS OF THE PRODUCT SHOWN ON THIS DRAWING ARE SUBJECT TO CHANGE WITHOUT NOTICE

TITLE:  
**4" SQ. CRUSHED CORNER COVER,  
 (1) 30A RECT 1.719"**

TOLERANCE UNLESS OTHERWISE SPECIFIED  .XX DECIMAL ±.015 .XXX DECIMAL ±.005 ANGLE ±2°	<b>RACO</b> South Bend, Indiana	
	DRAWN BY:	RMV
	APP. BY:	RMV
	DATE:	03-31-17
		SCALE: 1:1.5