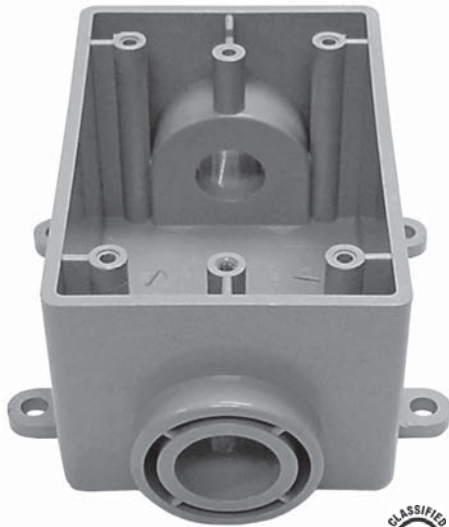
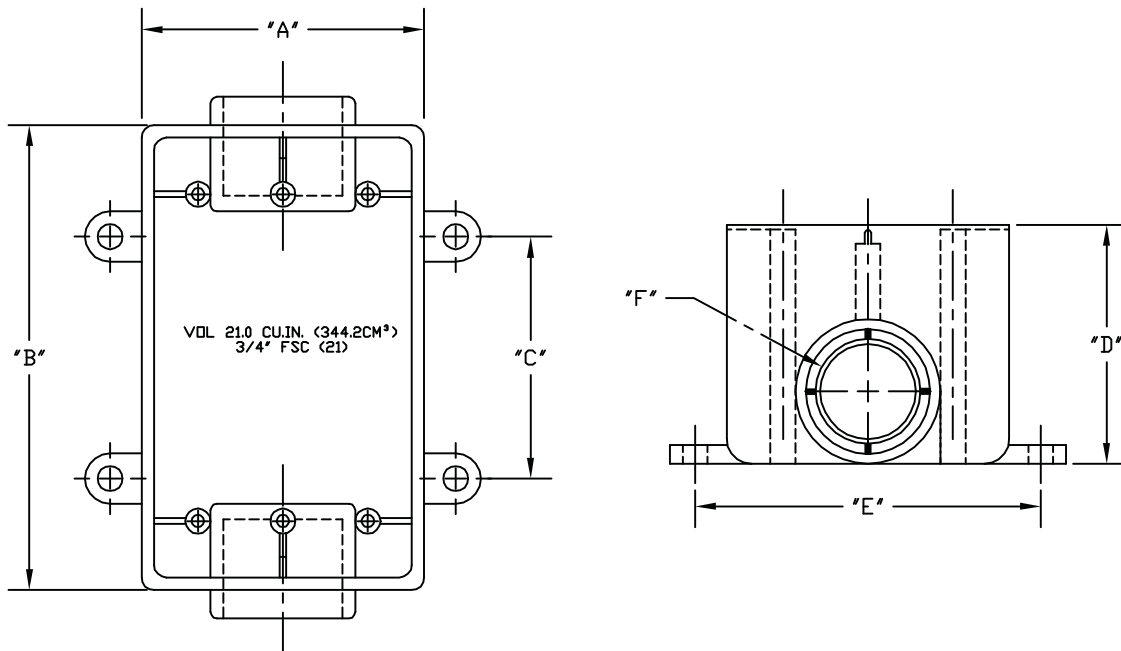


## Type FSC Single Gang Box



Used for straight line conduit runs and splices. Uses single gang electrical device cover.

Single gang, surface mounted electrical box which has one conduit entrance hub in each of the two short walls of the box



Part Number	Trade Size	Carton Quantity	"A"	"B"	"C"	"D"	"E"	"F"
5133463	1/2	10	2.813	4.563	2.625	2.375	3.438	.875
5133464	3/4	10	2.813	4.563	2.625	2.375	3.438	1.063
5133465	1	10	2.813	4.563	2.625	2.375	3.438	1.313

Dimensions are nominal