

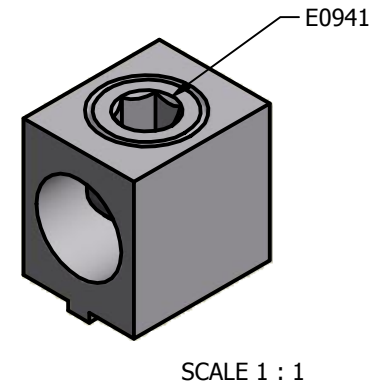
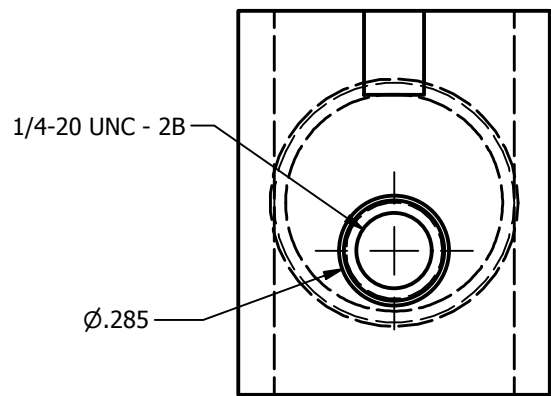
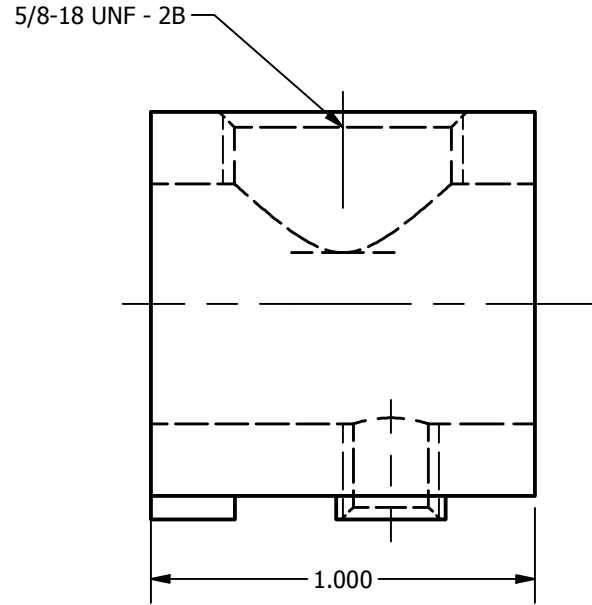
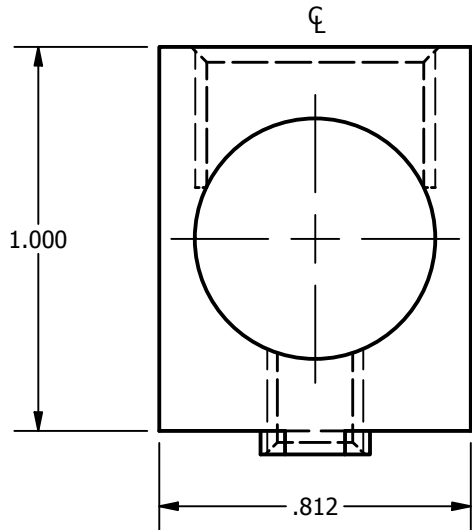


SCREW: E0941	MATERIAL: ALUMINUM	REV: L	 800-776-9775 www.ilsco.com	
CAT. NO.: CA6RP	PLATING: EL-TIN	DRAWN BY: JG SCALE: 2:1		
INFORMATION SHEET: FORM 1	MARKING: ILSCO, CA6-RP, D-1023, 250MCM-6, AL7CU	DATE: 7/9/2007 SIZE: A		
				DWG. NO. D1023-23 SHEET: 1 OF 1



SCALE 1 : 1