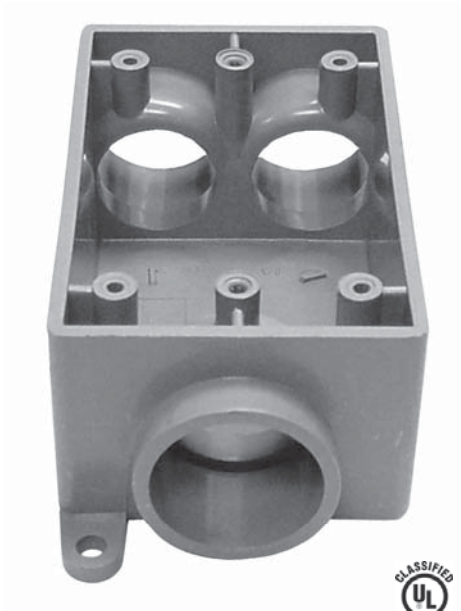
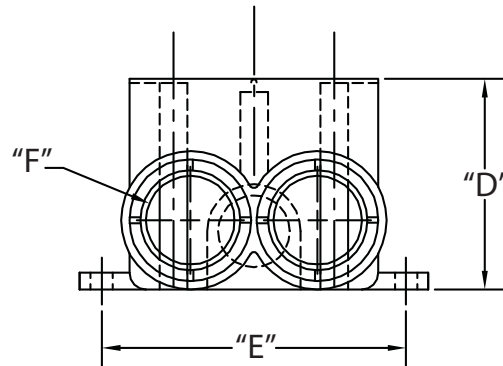
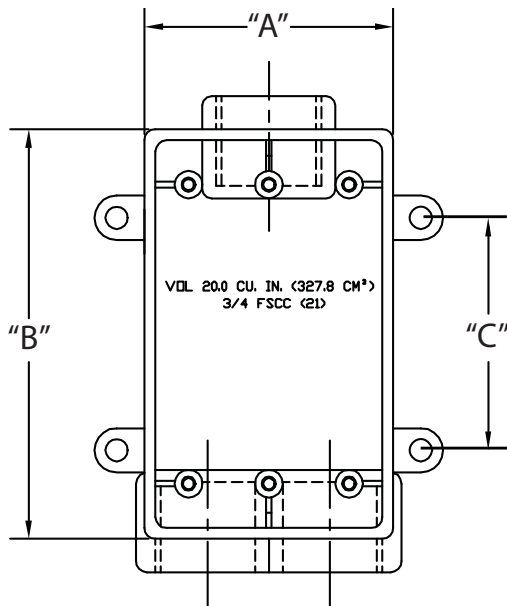


## Type FSCC Single Gang Box



Single gang, surface mounted electrical box that has two conduit entrance hubs in one wall of the box and one hub in the opposite wall. Uses a single gang device cover.



Part Number	Trade Size	Carton Quantity	"A"	"B"	"C"	"D"	"E"	"F"
5133544	1/2	10	2.813	4.625	2.625	2.375	3.438	.875
5133545	3/4	10	2.813	4.625	2.625	2.375	3.438	1.063
5133546	1	10	2.813	4.625	2.625	2.375	3.438	1.313

Dimensions are nominal