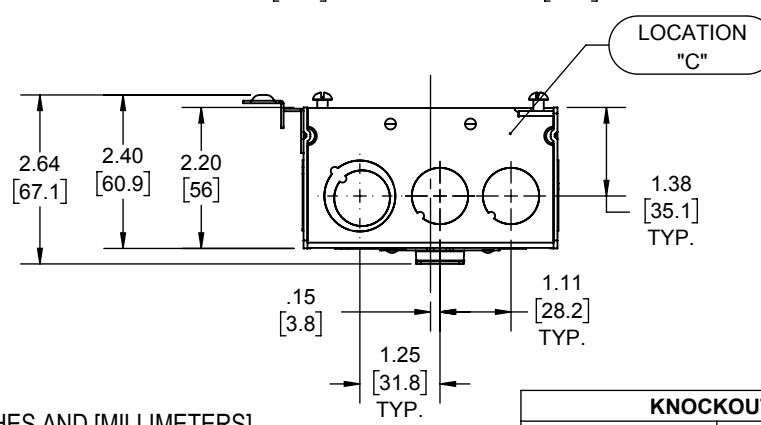
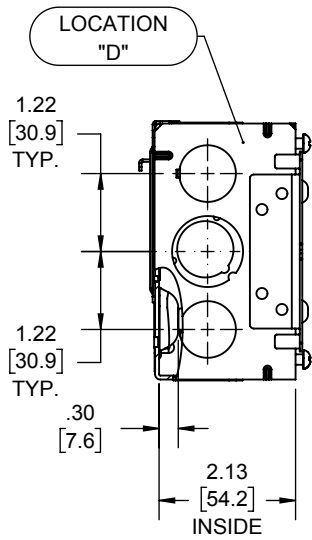
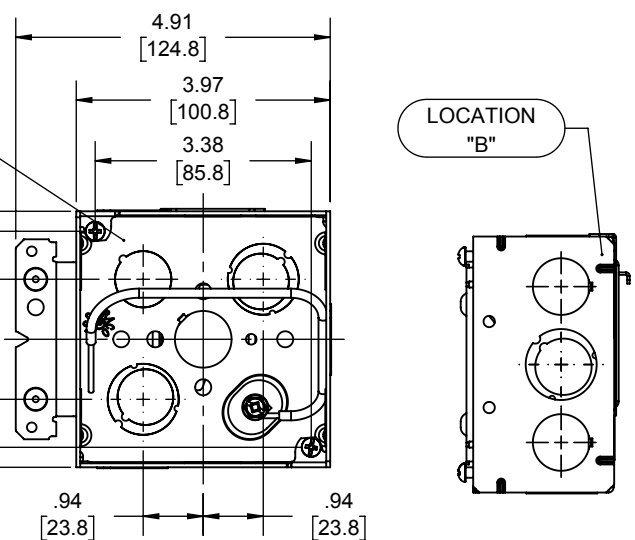
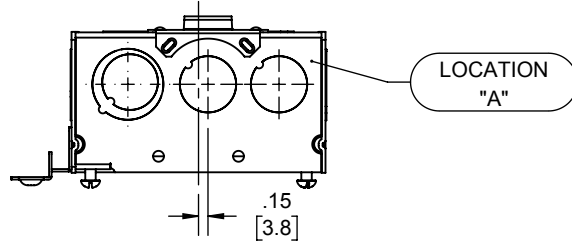


**PIGTAIL:**

WIRE: #12 AWG STRANDED, 10-1/2" LONG, GREEN INSULATED, U.L. LISTED, 600 VOLT MAX;  
 EXTRA-GRIP RING TERMINAL, 16/12 AWG BRASS;  
 #10-32 X 3/8" GROUND SCREW W/COMBO HEX WASHER HEAD (SLOTTED, #2 PHILLIPS AND ROBERTSON)



LIST OF PARTS		
DESCRIPTION	MATERIAL	FINISH
SPACER	STEEL	GALVANIZED
SIDE	STEEL	GALVANIZED
FARMSIDE SUPPORT	STEEL	GALVANIZED
STUD BRACKET	STEEL	GALVANIZED
FASTENERS	STEEL	GALVANIZED
PIGTAIL	INSULATED STRANDED COPPER	N/A

232H CUS

SYMBOL	REVISION DESCRIPTION	APP	DATE
	INITIAL RELEASE	RMV	01-23-17

232H

DIMENSION SHEET FOR CAT. NO.

THE DESIGN AND DIMENSIONS OF THE PRODUCT SHOWN ON THIS DRAWING ARE SUBJECT TO CHANGE WITHOUT NOTICE

TITLE: **ASSEMBLY 4" SQ x 2-1/8" DEEP BOX WITH FAR SIDE SUPPORT AND FACE MOUNT BRACKET CAT. # 232H**

- NOTES:
- ALL DIMENSIONS ARE IN INCHES AND [MILLIMETERS]
  - BOX VOLUME: 30.3 IN<sup>3</sup> [496.5 CM<sup>3</sup>]
  - UL LISTED

KNOCKOUTS		
TRADE SIZE	LOCATION	QTY.
(1/2"-3/4") TKO®	A, B, C, D	1
1/2" KO	A, B, C, D, E	2
(1/2"-3/4") TKO®	E	2

TOLERANCE UNLESS OTHERWISE SPECIFIED  
 .XX DECIMAL ±.015  
 .XXX DECIMAL ±.005  
 ANGLE ±2°

**RACO**  
 South Bend, Indiana

DRAWN BY:	RMV	SCALE:
APP. BY:	N.S.	1:3
DATE:	01-23-17	

SIZE:

**A**

11in\*17in