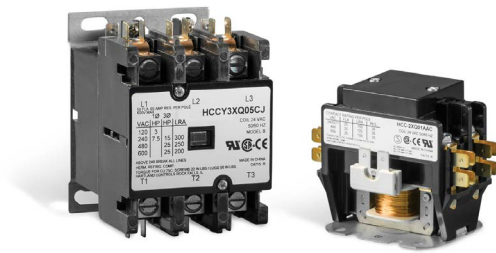


Contactors

HCC Series

600 V ac • 0 to 40 A • 1P, 2P & 3P



Description

The HCC Series definite purpose contactors consists of 1 pole, 2 pole, and 3 pole contactors from 30 amperes to 40 amperes. Acting as an on/off switch controlled by thermostats, contactors are designed with consistent silver thickness for increased product life, making them ideal for the demands of a broad range of applications. The 1 and 2 pole models are typically used in residential applications, while the 3 pole contactors are typically used in commercial applications.

Features & Benefits

FEATURES	BENEFITS
Double E magnet assembly	For optimal performance with reduced power use
Movable contacts with heavy duty silver alloy	To help extend the life of the product
One piece terminal design meets NEMA standard	Allowing spacing without insulated terminals
Termination options include combo screw, screw with pressure plate, or lug	To meet a broad range of system needs
Universal mounting configuration	Helps streamline installation
Optional auxiliary switches available	Designed for use with 3 pole contactors

Applications

- HVAC/R
- Food & Beverage
- Lighting
- Welding
- Water/Wastewater

Contactors

HCC Series

Specifications

Initial Dielectric Strength	Between Contacts & Coils: 2,200 V ac; Between Poles: 2,200 V ac (includes shunt); Between Open Contacts: 2,200 V ac (no shunt)
Arc Cover	1 and 2 Pole: Optional on 20–30 FLA; Standard on 40 FLA; 3 Pole: Standard
Insulation System	130 °C Class B
Unit Weight	1 Pole: 8.0 oz; 2 Pole: 9.6 oz; 3 Pole 20–40 FLA: 16 oz;
Power Pole Terminations	1, 2, 3 (20–40 FLA): #10–32 screw or box lug;
Wire Size	1, 2, 3 (20–40 FLA): #10–32 screw 16–8 (#8 must use ring terminal);
Recommended Tightening Torque	1, 2, 3 Pole (20–40 FLA): #10–32 screw: 22 in. - lbs; Box lug: 40 in. - lbs;
Coil Terminal Connections	1 and 2 Pole: Coil terminals: dual 0.250" quick connects; 3 Pole: dual 0.250" quick connects or #6–32 screw
Power Terminal Connections	0.250" quick connects
Operating Temperature	-40 °C to 65 °C; -40 °F to 150 °F
Mounting Method	Chassis Mount

Certification & Compliance

UL 508	File No. E227250
CSA	File No. 221260 (1456104)
Semko/CE	File No. EN 60947-4-1:2001

Contact factory for higher amperage products

Ordering Information

LITTELFUSE CATALOG NUMBER	CONTACTOR FORM PER CIRCUIT	FULL LOAD CURRENT INDUCTIVE	FULL LOAD CURRENT RESISTIVE	LOCKED ROTOR CURRENT	LOCKED ROTOR CURRENT	LOCKED ROTOR CURRENT	PULL IN VOLTAGE	NOMINAL COIL VOLTAGE	WEIGHT
CON-1/24/30	1 pole NO with shunt	30 A	40 A @ 600 V ac	180 A @ 240 V ac	150 A @ 480 V ac	120 A @ 600 V ac	18 V	24 V	0.52 Lb
CON-1/24/30L	1 pole NO with shunt	30 A	40 A @ 600 V ac	180 A @ 240 V ac	150 A @ 480 V ac	120 A @ 600 V ac	18 V	24 V	0.52 Lb
CON-1/24/40	1 pole NO with shunt	40 A	50 A @ 600 V ac	240 A @ 240 V ac	200 A @ 480 V ac	160 A @ 600 V ac	18 V	24 V	0.54 Lb
CON-1/120/30	1 pole NO with shunt	30 A	40 A @ 600 V ac	180 A @ 240 V ac	150 A @ 480 V ac	120 A @ 600 V ac	88 V	120 V	0.52 Lb
CON-1/120/30L	1 pole NO with shunt	30 A	40 A @ 600 V ac	180 A @ 240 V ac	150 A @ 480 V ac	120 A @ 600 V ac	88 V	120 V	0.52 Lb
CON-1/120/40	1 pole NO with shunt	40 A	50 A @ 600 V ac	240 A @ 240 V ac	200 A @ 480 V ac	160 A @ 600 V ac	88 V	120 V	0.54 Lb
CON-1/240/30	1 pole NO with shunt	30 A	40 A @ 600 V ac	180 A @ 240 V ac	150 A @ 480 V ac	120 A @ 600 V ac	177 V	208/240 V	0.52 Lb
CON-1/240/30L	1 pole NO with shunt	30 A	40 A @ 600 V ac	180 A @ 240 V ac	150 A @ 480 V ac	120 A @ 600 V ac	177 V	208/240 V	0.52 Lb
CON-1/240/40	1 pole NO with shunt	40 A	50 A @ 600 V ac	240 A @ 240 V ac	200 A @ 480 V ac	160 A @ 600 V ac	177 V	208/240 V	0.54 Lb
CON-2/24/30	2 pole NO	30 A	40 A @ 600 V ac	180 A @ 240 V ac	150 A @ 480 V ac	120 A @ 600 V ac	18 V	24 V	0.66 Lb

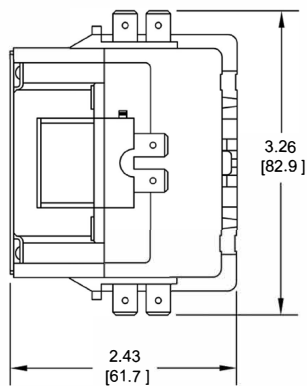
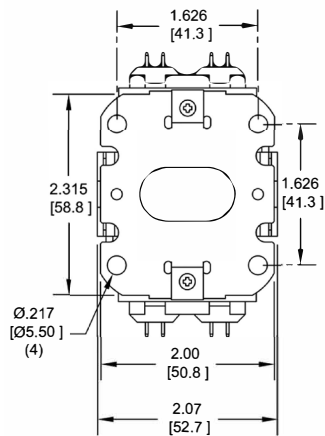
Contactor HCC Series

Ordering Information (cont.)

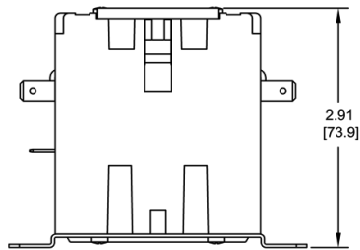
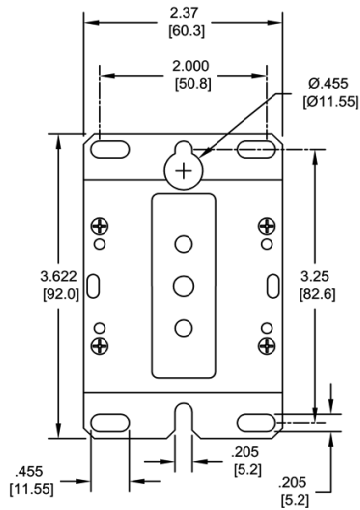
LITTELFUSE CATALOG NUMBER	CONTACTOR FORM PER CIRCUIT	FULL LOAD CURRENT INDUCTIVE	FULL LOAD CURRENT RESISTIVE	LOCKED ROTOR CURRENT	LOCKED ROTOR CURRENT	LOCKED ROTOR CURRENT	PULL IN VOLTAGE	NOMINAL COIL VOLTAGE	WEIGHT
CON-2/24/30L	2 pole NO	30 A	40 A @ 600 V ac	180 A @ 240 V ac	150 A @ 480 V ac	120 A @ 600 V ac	18 V	24 V	0.52 Lb
CON-2/24/40	2 pole NO	40 A	50 A @ 600 V ac	240 A @ 240 V ac	200 A @ 480 V ac	160 A @ 600 V ac	18 V	24 V	0.68 Lb
CON-2/120/30	2 pole NO	30 A	40 A @ 600 V ac	180 A @ 240 V ac	150 A @ 480 V ac	120 A @ 600 V ac	88 V	120 V	0.66 Lb
CON-2/120/30L	2 pole NO	30 A	40 A @ 600 V ac	180 A @ 240 V ac	150 A @ 480 V ac	120 A @ 600 V ac	88 V	120 V	0.52 Lb
CON-2/120/40	2 pole NO	40 A	50 A @ 600 V ac	240 A @ 240 V ac	200 A @ 480 V ac	160 A @ 600 V ac	88 V	120 V	0.68 Lb
CON-2/240/30	2 pole NO	30 A	40 A @ 600 V ac	180 A @ 240 V ac	150 A @ 480 V ac	120 A @ 600 V ac	177 V	208/240 V	0.66 Lb
CON-2/240/30L	2 pole NO	30 A	40 A @ 600 V ac	180 A @ 240 V ac	150 A @ 480 V ac	120 A @ 600 V ac	177 V	208/240 V	0.52 Lb
CON-2/240/40	2 pole NO	40 A	50 A @ 600 V ac	240 A @ 240 V ac	200 A @ 480 V ac	160 A @ 600 V ac	177 V	208/240 V	0.68 Lb
CON-3/480/40	3 pole NO	40 A	50 A @ 600 V ac	240 A @ 240 V ac	200 A @ 480 V ac	160 A @ 600 V ac	384 V	480 V	1.08 Lb
CON-3/24/30L	3 pole NO	30 A	40 A @ 600 V ac	180 A @ 240 V ac	150 A @ 480 V ac	120 A @ 600 V ac	18 V	24 V	1.04 Lb
CON-3/24/30	3 pole NO	30 A	40 A @ 600 V ac	180 A @ 240 V ac	150 A @ 480 V ac	120 A @ 600 V ac	18 V	24 V	1.04 Lb
CON-3/24/40	3 pole NO	40 A	50 A @ 600 V ac	240 A @ 240 V ac	200 A @ 480 V ac	160 A @ 600 V ac	18 V	24 V	1.08 Lb
CON-3/120/30L	3 pole NO	30 A	40 A @ 600 V ac	180 A @ 240 V ac	150 A @ 480 V ac	120 A @ 600 V ac	88 V	120 V	1.04 Lb
CON-3/120/30	3 pole NO	30 A	40 A @ 600 V ac	180 A @ 240 V ac	150 A @ 480 V ac	120 A @ 600 V ac	88 V	120 V	1.04 Lb
CON-3/120/40	3 pole NO	40 A	50 A @ 600 V ac	240 A @ 240 V ac	200 A @ 480 V ac	160 A @ 600 V ac	88 V	120 V	1.08 Lb
CON-3/240/30L	3 pole NO	30 A	40 A @ 600 V ac	180 A @ 240 V ac	150 A @ 480 V ac	120 A @ 600 V ac	18 V	208/240 V	1.04 Lb
CON-3/240/30	3 pole NO	30 A	40 A @ 600 V ac	180 A @ 240 V ac	150 A @ 480 V ac	120 A @ 600 V ac	177 V	208/240 V	1.04 Lb
CON-3/240/40	3 pole NO	40 A	50 A @ 600 V ac	240 A @ 240 V ac	200 A @ 480 V ac	160 A @ 600 V ac	177 V	208/240 V	1.08 Lb

Contactor HCC Series

Dimensions inches (mm)



1 & 2 Pole Contactor 20–40 FLA



3 Pole Contactor 20–40 FLA

Disclaimer Notice – Information furnished is believed to be accurate and reliable. However, users should independently evaluate the suitability of and test each product selected for their own applications. Littelfuse products are not designed for, and may not be used in, all applications. Read complete Disclaimer Notice at www.littelfuse.com/product-disclaimer.