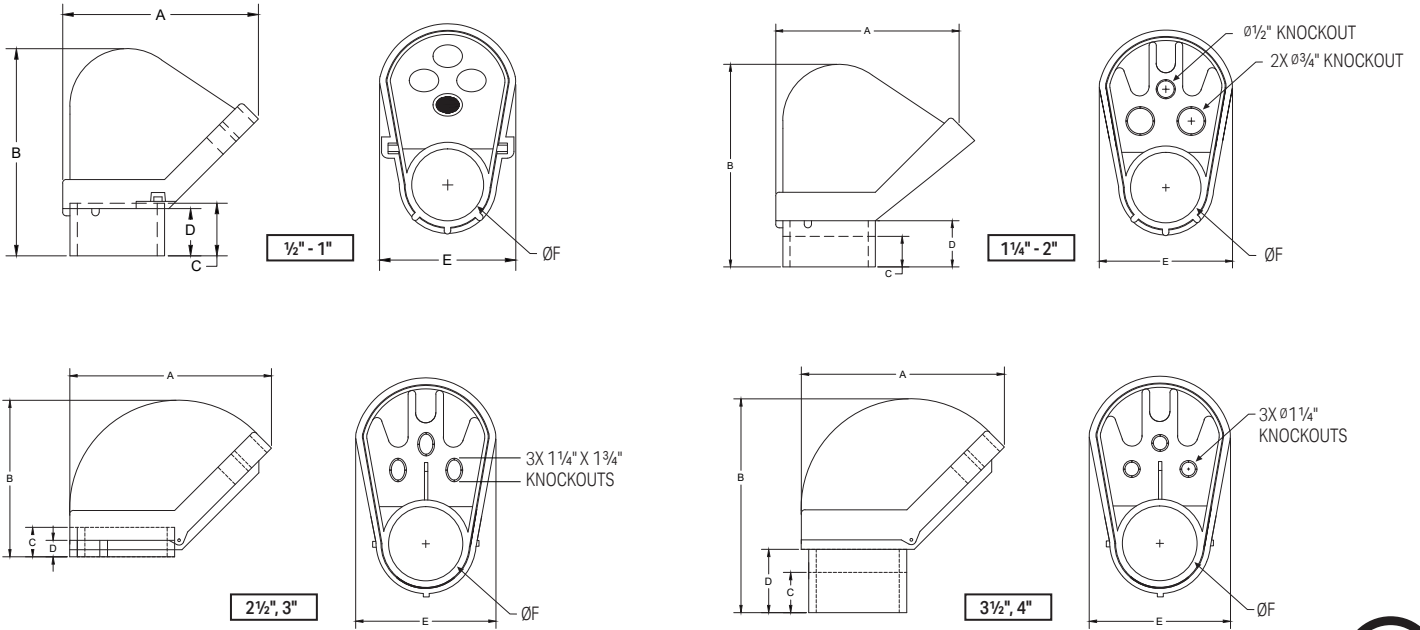


PVC Service Entrance Heads

PVC Electrical Conduit Fittings and Accessories



Trade Size (in)	Catalog Part Number	System Part Number	A	B	C	D	E	Diameter F
1/2	MH05	59269	2.88	2.88	0.75	0.63	2.19	0.85
3/4	MH07	59270	2.88	2.88	0.88	0.44	2.13	1.06
1	MH10	59271	3.31	3.63	1.00	0.75	2.38	1.33
1 1/4	MH12	59272	5.00	5.00	1.25	1.38	3.31	1.67
1 1/2	MH15	59273	6.50	6.50	1.75	2.00	4.25	1.92
2	MH20	59274	6.50	6.50	1.75	2.00	4.25	2.39
2 1/2	MH25	59275	15.00	8.25	1.88	1.00	8.25	2.89
3	MH30	59276	12.25	9.38	1.75	1.00	8.25	3.52
3 1/2	MH35	59277	12.25	11.00	2.00	3.13	8.00	4.02
4	MH40	59270	16.00	11.00	2.75	2.50	10.25	4.52

Dimensions are nominal (inches) and are subject to normal manufacturing tolerances