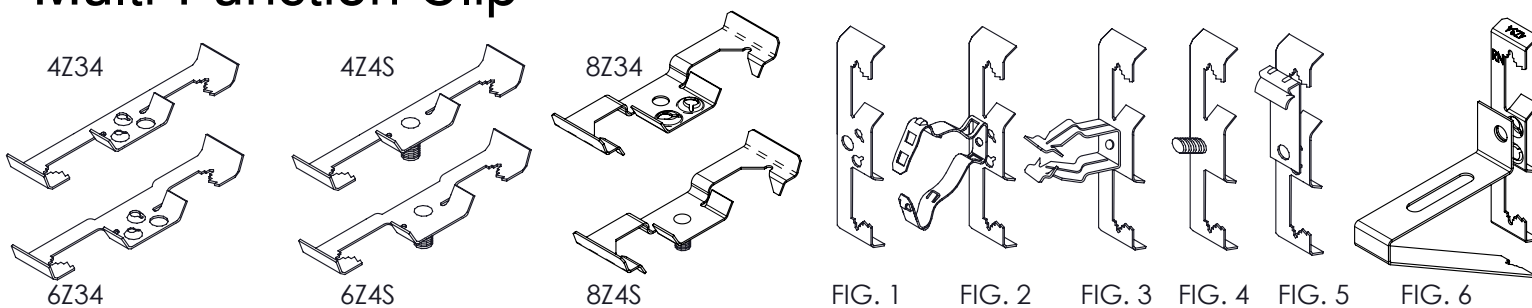


Multi-Function Clip



Part Number	Article Number	Fig. No	Description	Flange Size
4Z34	170650	1	#12 Wire thru 1/4" [6] plain or threaded rod	1/8" [3] - 3/8" [9]
4Z346M	171050	2	14-2 thru 12-3 MC/AC cable; #12 Wire thru 1/4" [6] plain or threaded rod	
4Z34812M	171060		1/2" [13] - 3/4" [19] Conduit; #12 Wire thru 1/4" [6] plain or threaded rod	
4Z3416M	N/A		3/4" [19] - 1" [25] Conduit; #12 Wire thru 1/4" [6] plain or threaded rod	
4Z348P	N/A	3	1/2" [13] EMT Conduit; #12 Wire thru 1/4" [6] plain or threaded rod	
4Z3412P	N/A		3/4" [19] EMT Conduit; #12 Wire thru 1/4" [6] plain or threaded rod	
4Z3416P	N/A		1" [25] EMT Conduit; #12 Wire thru 1/4" [6] plain or threaded rod	
4Z34CTS	172950	6	Cable tray to rod clip, M4, M6, M8 rod	
4Z4S	N/A	4	With stud, #12 Wire thru 1/4" [6] plain or threaded rod	
6Z34	170720	1	3/8" [10] plain or threaded rod	
6Z346M	171080	2	14-2 thru 12-3 MC/AC cable; 3/8" [10] plain or threaded rod	
6Z34812M	171090		1/2" [13] or 3/4" [19] Conduit; 3/8" [10] Plain or threaded rod	
6Z3416M	N/A		3/4" [19] - 1" [25] Conduit; 3/8" [10] plain or threaded rod	
6Z348P	N/A	3	1/2" [13] EMT conduit; 3/8" [10] plain or threaded rod	
6Z3412P	N/A		3/4" [19] EMT conduit; 3/8" [10] plain or threaded rod	
6Z3416P	N/A		1" [25] EMT conduit; 3/8" [10] plain or threaded rod	
6Z34CTS	172960	6	Cable tray to rod clip, M8, M10, M12 rod	
6Z4S	N/A	4	With stud; 3/8" [10] plain or threaded rod	
6Z34J2	N/A	5	3/8" plain or threaded rod, C purlin hammer-on	
8Z34	N/A	1	1/2" [13] or 5/8" [16] threaded rod	N/A
8Z34812M	N/A	2	1/2" [13] or 3/4" [19] Conduit; 1/2" [13] or 5/8" [16] threaded rod	N/A
8Z4S	N/A	4	With stud, 1/2" [13] or 5/8" [16] threaded rod	N/A

Note: May require dedicated drop wire/rod. Consult local code authority.

WARNING:

- nVent products shall be installed and used only as indicated in nVent product instruction sheets and training materials. Instruction sheets are available at www.nVent.com and from your nVent customer service representative.
- nVent products must never be used for a purpose other than the purpose for which they were designed or in a manner that exceeds specified load ratings.
- All instructions must be **completely** followed to ensure proper and safe installation and performance.
- Improper installation, misuse, misapplication or other failure to completely follow nVent's instructions and warnings may cause product malfunction, property damage, serious bodily injury and/or death, and void your warranty.
- Products that are manufactured using spring steel components shall be used only in a non-corrosive indoor environment.
- All pipe supports, hangers, intermediate components and structural attachments must **ONLY** be used as described herein and are **NEVER** to be used for any other purpose.

NOTE: All load ratings are for static conditions and do not account for dynamic loading such as wind, water or seismic loads, unless otherwise noted.

The customer is responsible for:

- Conformance to all governing codes.
- The integrity of structures to which the products are attached, including their capability of safely accepting the loads imposed, as evaluated by a qualified engineer.
- Using appropriate industry standard hardware as noted above.

SAFETY INSTRUCTIONS:

All governing codes and regulations and those required by the job site must be observed. Always use appropriate safety equipment such as eye protection, hard hat, and gloves as appropriate to the application.

nVent, nVent CADDY, nVent ERICO Cadweld, nVent ERICO Critec, nVent ERICO, nVent ERIFLEX, and nVent LENTON are owned by nVent or its global affiliates. All other trademarks are the property of their respective owners. nVent reserves the right to change specifications without prior notice.



TECHNICAL SUPPORT:
www.nVent.com

CFS116_N

1 OF 2

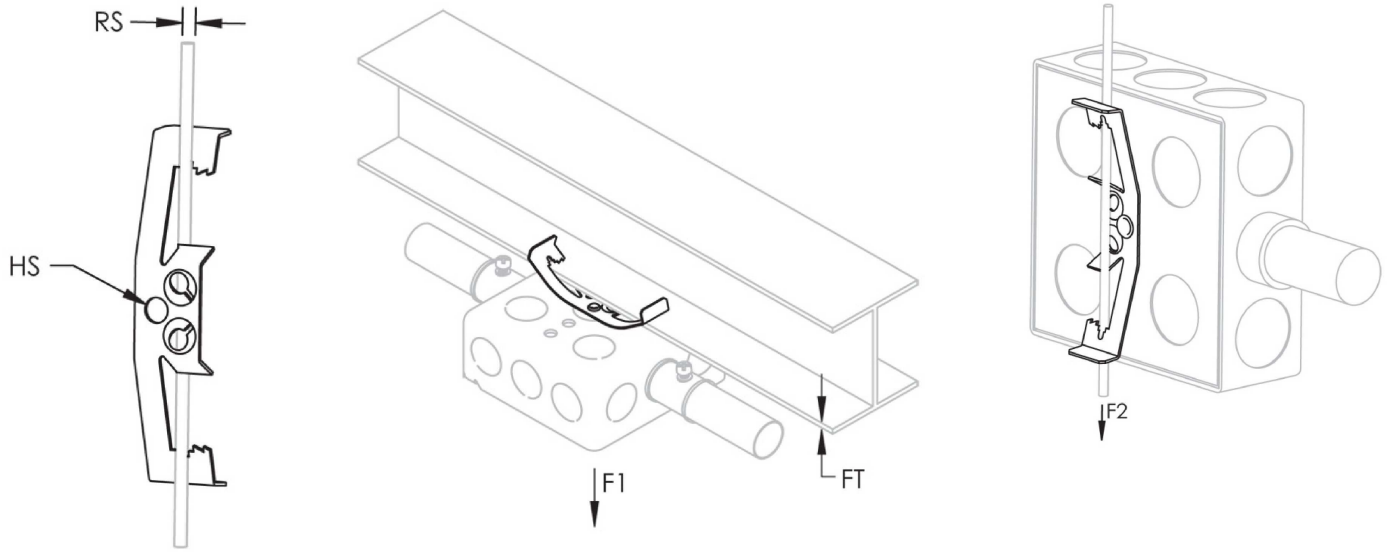
© 1998-2021 nVent All Rights Reserved



Global Part Number	Local Part Number	Rod Size (RS) (in [mm])	Wire Size (RS)	Flange Thickness (FT) (in [mm])	Static Load Rating (lb [N])	
					F1	F2
4Z34	170650	1/4" [M4 - M6]	#12 - #8	1/8" [3] - 3/8" [9]	25 [111]	20 [90]
6Z34	170720	3/8" [M10]	N/A	3/8" [9] - 7/16" [11]	25 [111]	*20 [90]
**8Z34	N/A	1/2" [M12] - 5/8" [M16]	N/A	N/A	N/A	50 [222]

*6Z34 installed on 3/8" [M10] smooth rod in the F2 direction has a Static Load Rating of 15 lb [67 N]

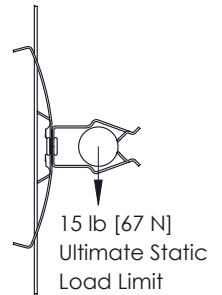
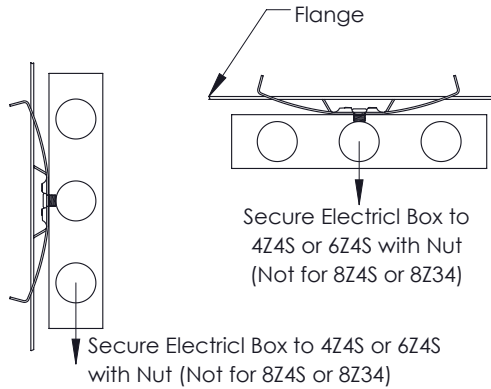
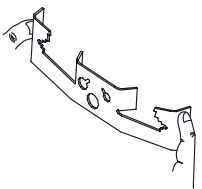
**8Z34 to be installed on 1/2" [M12] and 5/8" [M16] threaded rod sizes only.



1. Squeeze Fastener

2. Connect top edge over rod/wire

3. Twist into place and release



Fastener connected to back of box

