

TOGGLE SWITCHES • UTILITY & HEAVY DUTY

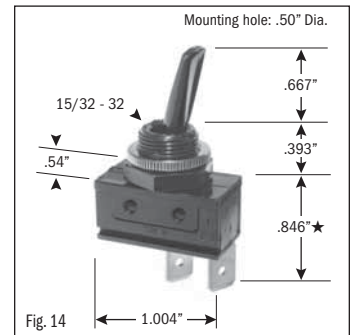
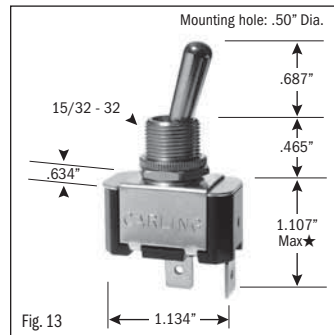
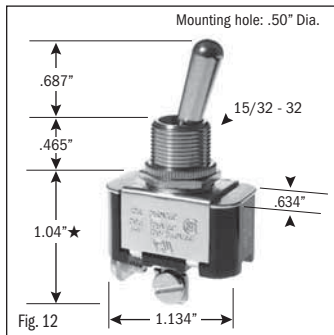
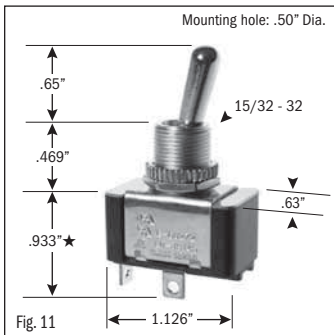
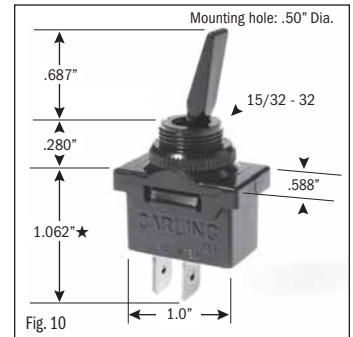
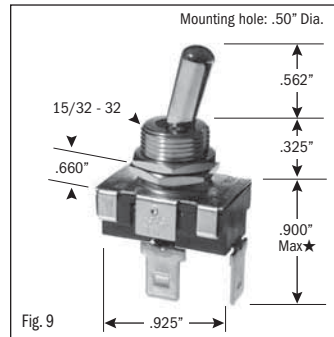
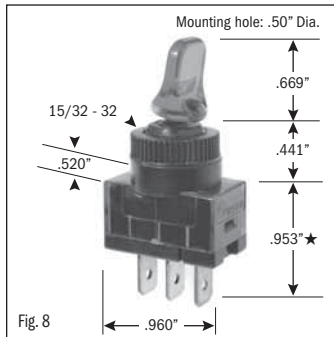
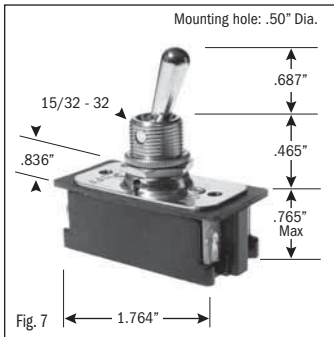
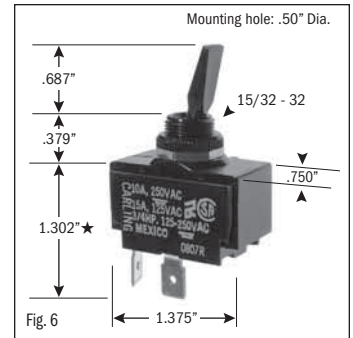
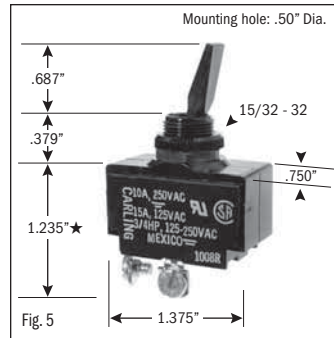
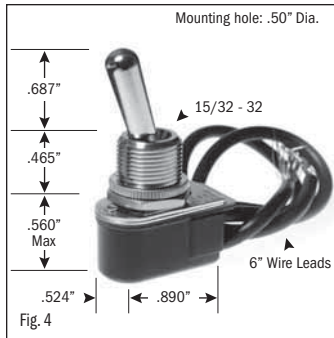
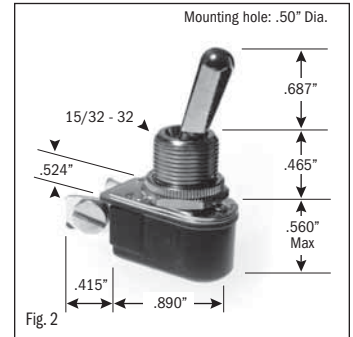
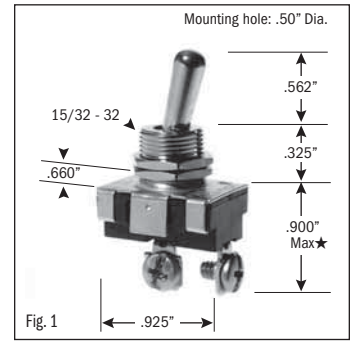
.50" MOUNTING HOLE DIAMETER										
POLES & THROWS	CIRCUIT FUNCTIONS	NOMINAL RATING			ACTUATOR STYLE	ACTUATOR MATERIAL	LIGHTED TOGGLE/TOGGLE COLOR	TERMINATION TYPE	CATALOG NUMBER	FIG. NO.
		AMPS	AMPS	H.P.						
		125 VAC	250 VAC	125-250 VAC						

MAINTAINED CONTACT

SPST	ON-OFF	6	3	BAT	BRASS/NICKEL	NO/NICKEL	SCREW	SS201-1-BG	1
SPST	ON-OFF	6*	3*	BAT	BRASS/NICKEL	NO/NICKEL	SCREW	SS204-4-BG	2
SPST	ON-OFF	6*	3*	BAT	BRASS/NICKEL	NO/NICKEL	WIRE	SS204W-BG	3
SPST	ON-OFF	10*	5*	1/4*	BAT	BRASS/NICKEL	NO/NICKEL	WIRE	SS205-5-BG
SPST	ON-OFF	15	10	3/4	FLAT	NYLON	NO/BLACK	SCREW	SS508-BG
SPST	ON-OFF	15	10	3/4	FLAT	NYLON	NO/BLACK	.250" SPADE	SS501-BG
SPST	ON-OFF	16*	8*	1*	BAT	BRASS/NICKEL	NO/NICKEL	SCREW	SS209-8-BG
SPST	ON-OFF	20 AMPS	12 VDC ³		FLAT	PLASTIC	YES/AMBER ³	.250" SPADE	SS110A-BG ¹
SPST	ON-OFF	20 AMPS	12 VDC ³		FLAT	PLASTIC	YES/GREEN ³	.250" SPADE	SS110G-BG ¹
SPST	ON-OFF	20 AMPS	12 VDC ³		FLAT	PLASTIC	YES/RED ³	.250" SPADE	SS110R-BG ¹
SPST	ON-OFF	20	10	3/4	BAT	BRASS/NICKEL	NO/NICKEL	.250" SPADE	SS113-BG ¹
SPST	ON-OFF	20	10	1 1/2	FLAT	NYLON	NO/BLACK	.250" SPADE	SS106-BG ¹
SPST	ON-OFF	20	10Δ	3/4	BAT	BRASS/NICKEL	NO/NICKEL	SOLDER LUGS	SS256L-BG
SPST	ON-OFF	20	12	1	BAT	BRASS/NICKEL	NO/NICKEL	SCREW	SS206S-BG
SPST	ON-OFF	20	12	1	BAT	BRASS/NICKEL	NO/NICKEL	.250" SPADE	SS206SP-BG
SPST	ON-OFF	20	12	1	BAT	BRASS/NICKEL	NO/NICKEL	.250" SPADE	SS202P-BG ¹
SPST	ON-OFF	20	20	1/2‡	FLAT	NYLON	NO/BLACK	.250" SPADE	SS251SP-BG

*Stated Amperage and voltage also valid for D.C. Rating
 ‡ Also 1 HP 250 VAC; 20 Amps 6-28 VDC; 16(4) Amps 250 VAC T85
³ Lamp rated 12 VDC
 Δ Rated 10 Amps 277 VAC
¹ Separate Female Quick Connect Solderless Insulated Terminals, ST-16, provided with switch when ordered with suffix "BG"

continued on page 2



★ Switch height measurement in Figures above, includes body and terminals combined



All specifications and dimensions are for reference only. If specific information is needed and/or of critical nature, contact Selecta Products headquarters for specific information before ordering.