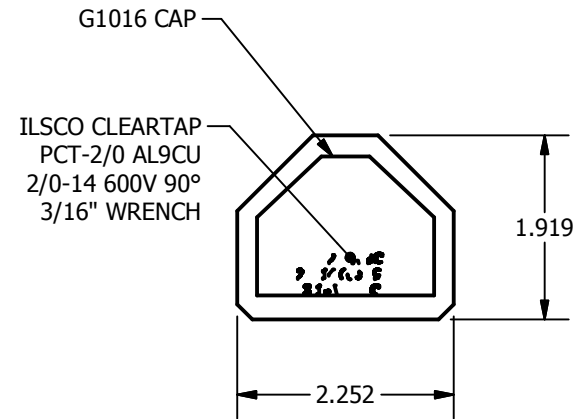
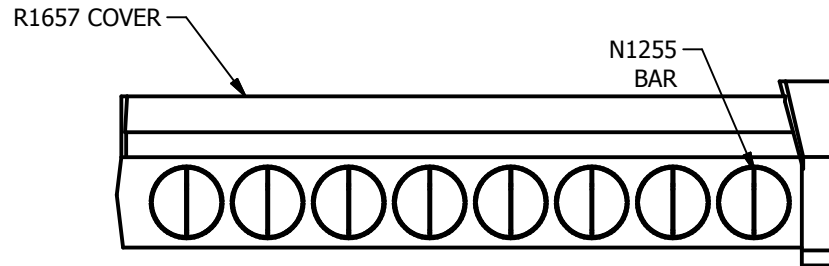
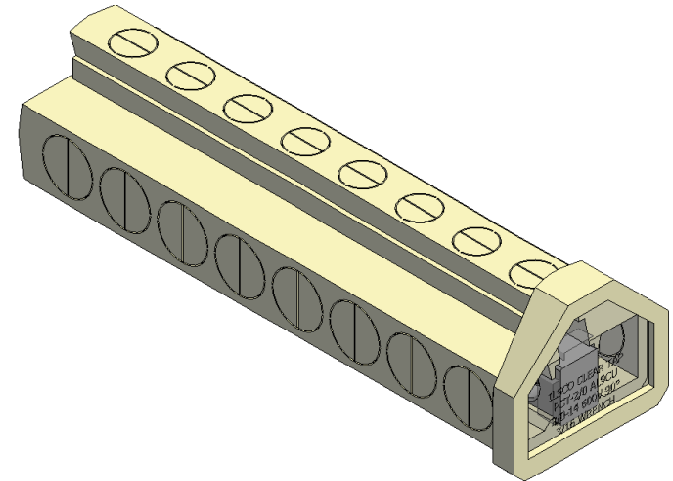


SCREW: E0950	MATERIAL: NONE	REV: D	ILSCO connections— matter	
CAT. NO.: SEE CHART	PLATING: NONE	DRAWN BY: NN	SCALE: 1/2	800-776-9775 www.ilsco.com
INFORMATION SHEET: FORM 1	MARKING: SEE BELOW	DATE: 5/8/2008	SIZE: A	DWG. NO. M2793
				SHEET: 1 OF 1



CAT NO.	OUTLETS
PCT-2-2/0	2
PCT-4-2/0	4
PCT-6-2/0	6
PCT-8-2/0	8