



UPC Code: 07847723310

NEMA:  
5-15R



## 5325

### Brand Features

Leviton's comprehensive Residential Grade Receptacles portfolio includes devices rated for all residential applications in a variety of standard configurations. They are produced in an array of colors in both Decora® brand and traditional styles. All duplex receptacles are designed with thermoplastic construction and feature a shallow build for maximum wiring room. Each duplex is also equipped with break-off plaster ears and tabs to allow for easy alignment and two-circuit conversion.

### Item Description

15 Amp, 125 Volt, NEMA 5-15R, 2P, 3W, Decora Duplex Receptacle, Straight Blade, Residential Grade, Grounding, Quickwire Push-In & Side Wired, Steel Strap, - Mahogany

### Technical Information

#### Electrical Ratings

**Amperage:** 15 A

**Voltage:** 125 VAC

#### Material Specifications

**Body Material:** Thermoplastic

**Color:** Mahogany

**Strap Material:** Steel

**Face Material:** Thermoplastic

**Operating Temperature:** -40°C to 60°C

#### Mechanical Specifications

**Wire:** 3

**Pole:** 2

**Termination:** Quickwire Push-In & Side

#### Performance Data

**Warranty:** 2 Year Limited

#### Product Features

**Device Type:** Duplex Receptacle

**Amperage:** 15 A

**Voltage:** 125 VAC

**NEMA:** 5-15R

**Pole:** 2

**Wire:** 3

**Termination:** Quickwire Push-In & Side

**Warranty:** 2 Year Limited

**Face Material:** Thermoplastic

**Color:** Mahogany

**Grounding:** Grounding

**Standards and Certifications:** UL/CSA

#### Standards and Certifications

**UL Listed:** File E13393

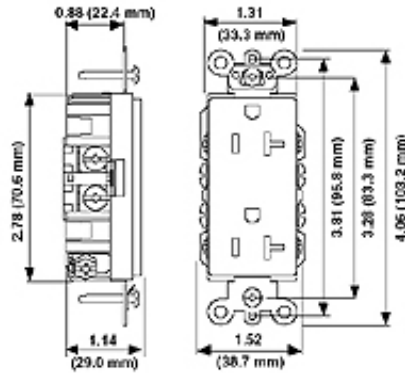
**NOM Certified:** 057

**CSA:** Certified

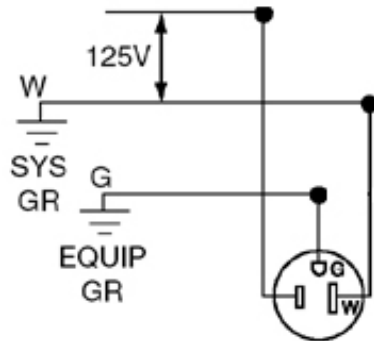
**Features and Benefits**

- Terminal screws accept up to No. 12 AWG Cooper or copper-clad wire.
- Quick wire push-in terminals accept No. 14 AWG solid cooper wire only.
- Double-wipe power contacts for reliable conductivity and plug retention.
- Heavy-gauge zinc-plated steel mounting strap.
- Limited Two-Year warranty.
- Color: Mahogany(Brown)

**Dimensional Diagram**



**Wiring Diagram**



5-15R

**SPECIFICATION SUBMITTAL**

JOB NAME: <input type="text"/>	CATALOG NUMBERS: <input type="text"/>	
JOB NUMBER: <input type="text"/>	<input type="text"/>	<input type="text"/>

**Leviton Manufacturing Co., Inc.**

201 North Service Road, Melville, NY 11747

Teléfono: +1-800-323-8920 · FAX: +1-800-832-9538 · Tech Line (8:30AM-7:30PM E.S.T. Monday-Friday): +1-800-824-3005

**Leviton Manufacturing of Canada, Ltd.**

165 Hymus Boulevard, Pointe Claire, Quebec H9R 1E9 · Telephone: +1-800-469-7890 ·

FAX: +1-800-824-3005 · [www.leviton.com/canada](http://www.leviton.com/canada)

**Leviton S. de R.L. de C.V.**

Lago Tana 43, Mexico DF, Mexico CP 11290 · Tel.: (+52)55-5082-1040 · FAX: (+52)5386-

1797 · [www.leviton.com.mx](http://www.leviton.com.mx)

**Visit our Website at: [www.leviton.com](http://www.leviton.com)**

© 2018 Leviton Manufacturing Co., Inc. Todos los derechos reservados. Subject to change without notice.

**Leviton has a global presence.**

If you would like to know where your local Leviton office is located please go to:

[www.leviton.com/international/contacts/](http://www.leviton.com/international/contacts/)

