
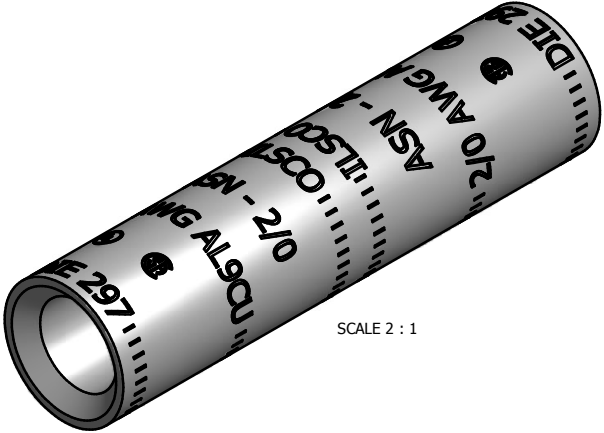


SCREW: NONE	MATERIAL: ALUMINUM	REV: B	 800-776-9775 www.ilSCO.com		
CAT. NO.: ASN - 2/0	PLATING: EL-TIN	DRAWN BY: AR			SCALE: 2:1
INFORMATION SHEET: FORM 196	MARKING: ILSCO, ASN-2/0, 2/0 AWG AL9CU, DIE 297	DATE: 12/20/2013			SIZE: B
			DWG NO: H1912-22	SHEET: 1 OF 1	



SCALE 2 : 1

