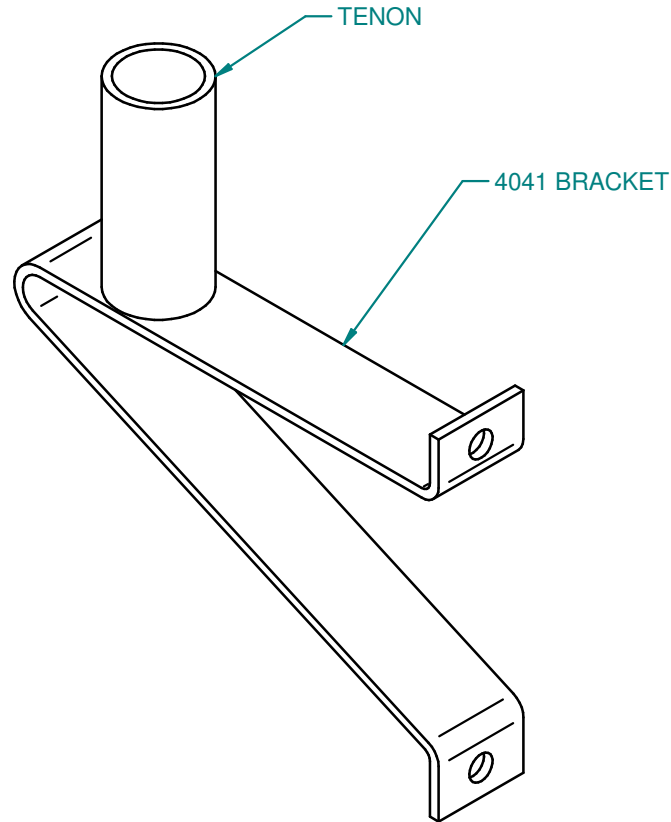


4041 - Steel Wall/Pole Bracket 2" Pipe

WALL AND POLE BRACKET ACCESSORY



Warning: DISCONNECT POWER BEFORE INSTALLATION OR MAINTENANCE



Mounting Notes:

1. Secure the wall bracket to the wall. Anchoring bolts to be supplied by others.
2. Mount luminaire yoke to tenon with hardware (supplied by others).
3. Secure tightly.

Shipping Package Contents:

4041 Bracket (1)
Hardware Kit: Supplied by others

Material: Steel

Finish: Powder Paint

Weight: 7 lbs