

SCREW: E0945

MATERIAL: ALUMINUM

REV: Y



CAT. NO.: TA-800

PLATING: EL-TIN

DRAWN BY: NN

SCALE: 1/2

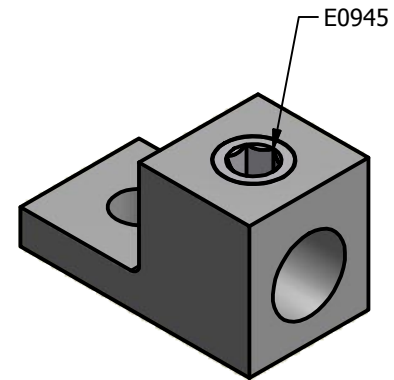
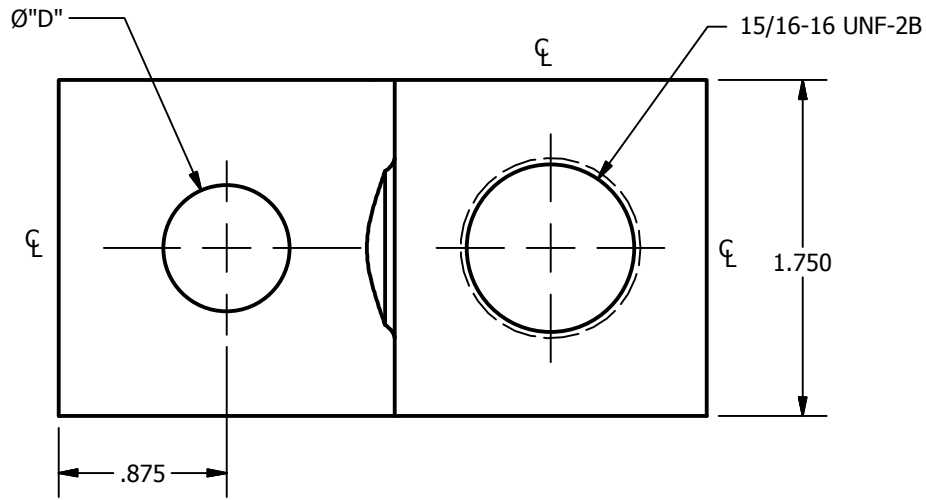
INFORMATION SHEET: FORM 1

MARKING: ILSCO, D1794, TA-800, 800-300MCM, AL9CU,

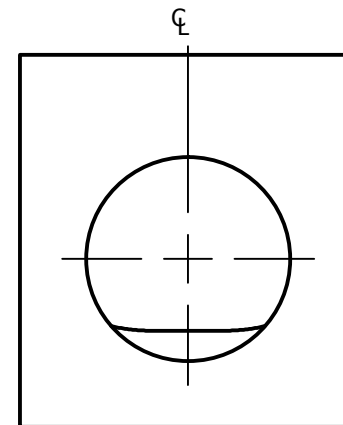
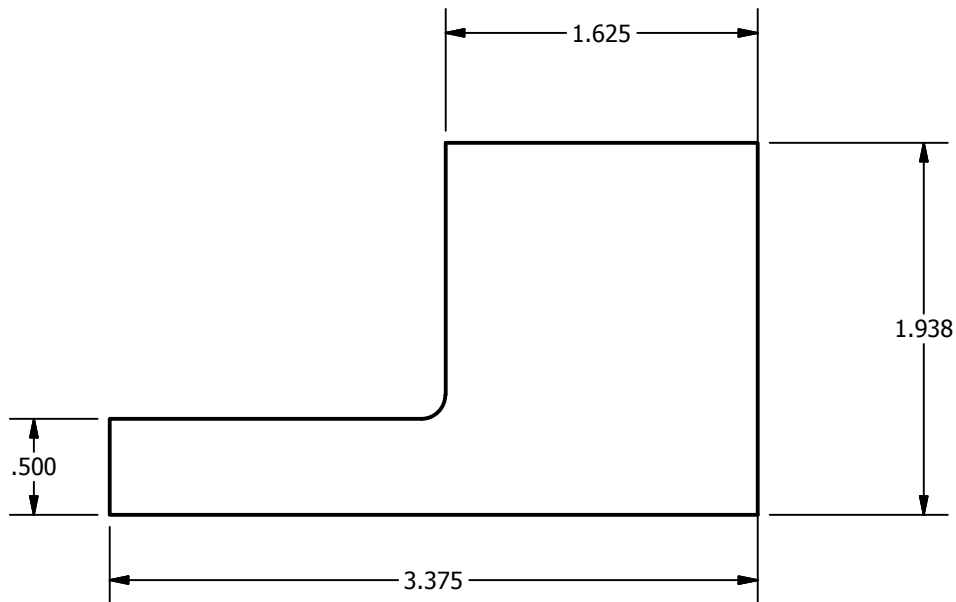
DATE: 12/12/2007

SIZE: A

DWG. NO. **D1794**
SHEET: 1 OF 1



SCALE 1 / 2



DIA. "D"
.656
.531