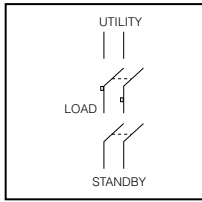


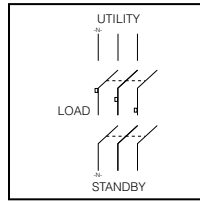
Single Phase

Fig. A



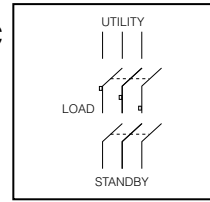
Single Phase- Switched Neutral

Fig. B



Three Phase

Fig. C



Single Phase 120/240 Volts AC

FIG.	UL	MODEL NUMBER	AMPS		VOLTS	PHASE	WIRE RANGE (CuAl)	CABINET SIZE	HUB* (included)	UNIT WGT.	STD. PKG.	NEUTRAL KITS (FIELD INSTALLED ONLY) ORDER MODEL #
			MAIN	STANDBY								
A	Y	GS1101B12UL	100	100	120/240	1	10-1/0	2713G	1 1/4"	32	1	NEU102
A	Y	GS3161G**	100	100	120/240	1	12-110	1509G	Order Separately	11	1	INSTALLED
A	Y	GS1201B20UL	200	100	120/240	1	6-250	3316G	2"	42	1	NEU202
A	Y	GS1202B20UL	200	200	120/240	1	6-250	3616G	2"	46	1	NEU202
A	Y	GS1402B01UL	400	200	120/240	1	2-600 or (2) 1/0-250	4318G	Order Separately	88	1	NEU407
A	Y	GS1404B01UL	400	400	120/240	1	2-600 or (2) 1/0-250	4318G	Order Separately	96	1	NEU407

** Light Duty Transfer Switches

Single Phase 120/240 Volts AC with Attached Meter Socket*

FIG.	UL	MODEL NUMBER	AMPS		VOLTS	PHASE	WIRE RANGE (CuAl)	CABINET SIZE	HUB* (included)	UNIT WGT.	STD. PKG.	NEUTRAL
			MAIN	STANDBY								
A	N	GS1202B20M	200	200	120/240	1	1/0-250	4016M	2"	46	1	INSTALLED

* Metered unit not UL listed – Does not meet NEC Code

Single Phase 120/240 Volts AC - Switch Neutral

FIG.	UL	MODEL NUMBER	AMPS		VOLTS	PHASE	WIRE RANGE (CuAl)	CABINET SIZE	HUB* (included)	UNIT WGT.	STD. PKG.	NEUTRAL KITS (FIELD INSTALLED ONLY) ORDER MODEL #
			MAIN	STANDBY								
B	Y	GS3161B12UL	100	100	120/240	1	10-1/0	2713G	1 1/4"	32	1	Factory Installed
B	Y	GS3262B25UL	200	200	120/240	1	6-250	3616G	2 1/2"	48	1	Factory Installed
B	Y	GS3464B01UL	400	400	120/240	1	2-600 or (2) 1/0-250	4423G	Order Separately	120	1	Factory Installed

Three Phase 240, 120/240 Volts AC

FIG.	UL	MODEL NUMBER	AMPS		VOLTS	PHASE	WIRE RANGE (CuAl)	CABINET SIZE	HUB* (included)	UNIT WGT.	STD. PKG.	NEUTRAL KITS (FIELD INSTALLED ONLY) ORDER MODEL #
			MAIN	STANDBY								
C	Y	GS3262G**	200	200	240	3	6-250	3016G	Order Separately	45	1	INSTALLED
C	Y	GS3402B01UL	400	200	240	3	(3) 2-600 or (3) 6-250	4423G	Order Separately	107	1	NEU407
C	Y	GS3404B01UL	400	400	240	3	(3) 2-600 or (3) 6-250	4423G	Order Separately	120	1	NEU407

** Light Duty Transfer Switches

Three Phase 600 Volt AC

FIG.	UL	MODEL NUMBER	AMPS		VOLTS	PHASE	WIRE RANGE (CuAl)	CABINET SIZE	HUB* (included)	UNIT WGT.	STD. PKG.	NEUTRAL KITS (FIELD INSTALLED ONLY) ORDER MODEL #
			MAIN	STANDBY								
C	Y	GS3161B12UL	100	100	600	3	10-1/0	2713G	1 1/4"	32	1	NEU102
C	Y	GS3262B25UL	200	200	600	3	6-250	3616G	2 1/2"	48	1	NEU202
C	Y	GS3464B01UL	400	400	600	3	(3) 2-600 or (3) 6-250	4423G	Order Separately	120	1	NEU407

* For Hub Model Number see Table on page 110



Transfer Switches Technical Data

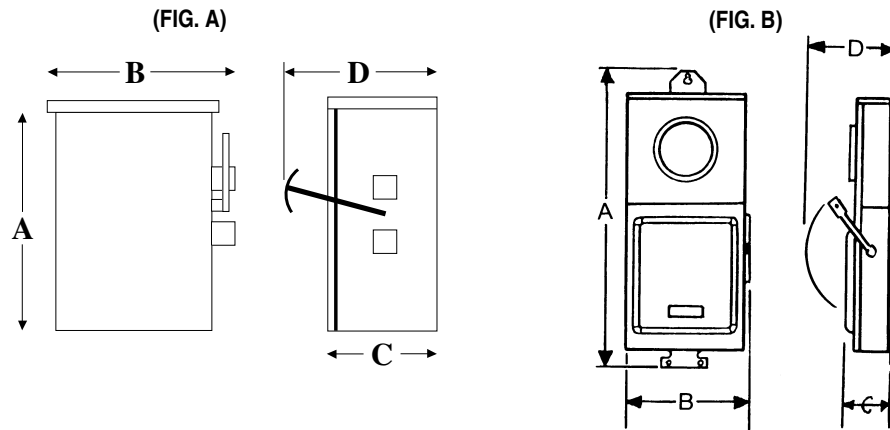


MODEL NUMBER	REPLACEMENT PARTS		CABINET SIZE	ENCLOSURE STYLE	CABINET DIMENSIONS				KNOCKOUT FIGURE
	UTILITY SWITCH BLOCK	GENERATOR SWITCH BLOCK			HEIGHT A	WIDTH B	DEPTH C	DEPTH D	
GS1201B20UL	265A5081P10	265A5081P14	3316G	A	33-1/2"	16-5/8"	5-3/4"	10-5/8"	2
GS1202B20M	265A5081P10	265A5081P10	4016M	B	40-1/4"	16-5/8"	5-3/4"	10-5/8"	2
GS1202B20UL	265A5081P10	265A5081P10	3616G	A	33-1/2"	16-5/8"	5-3/4"	10-5/8"	2
GS1402B01UL	455C412G14	265A5081P10	4318G	A	43-3/4"	18-1/4"	8-1/2"	14-1/8"	3
GS1404B01UL	455C412G14	455C412G14	4318G	A	43-3/4"	18-1/4"	8-1/2"	14-1/8"	3
GS3161B12UL	265A5081P11	265A5081P11	2713G	A	27-1/2"	13-5/8"	5-3/4"	10-5/8"	1
GS3161G	—	—	1509G	A	15"	9"	5"	6-1/2"	5
GS3262B25UL	265A5081P37	A265A5081P37	3616G	A	33-1/2"	16-5/8"	5-3/4"	10-5/8"	2
GS3262G	—	—	3016G	A	30"	16"	8-1/2"	12"	6
GS3402B01UL	455C412G14	265A5081P37	4423G	A	44-3/4"	23-3/4"	8-1/2"	14-1/8"	4
GS3404B01UL	455C412G14	455C412G14	4423G	A	44-3/4"	23-3/4"	8-1/2"	14-1/8"	4
GS3464B01UL	455C412G14	455C412G14	4423G	A	44-3/4"	23-3/4"	8-1/2"	14-1/8"	4

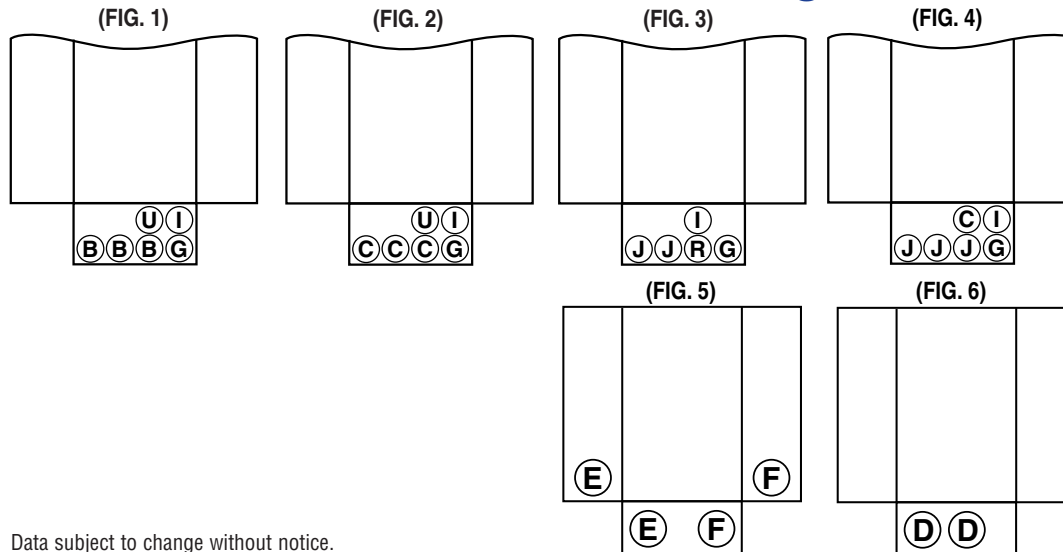
Transfer Switch Neutral Kits

MODEL NUMBER	UNIT WGT. LBS.	WIRE RANGE
NEU102	1	(5) 12-1/0
NEU202	1	(2) 14-1/0, (3) 6-250
NEU407	2	(2) 14-1/0, (3) 2-600 OR (2) 1/0-250

Transfer Switches Cabinet Dimensions



Transfer Switches Knockout Configurations



- B = 1", 1-1/4", 1-1/2"
- C = 1-1/4", 1-1/2", 2"
- D = 2", 2-1/2", 3"
- E = 1", 1-1/4", 1-3/4"
- F = 1-1/4", 1-3/4", 2"
- G = 1/2", 3/4", 1"
- I = 11/16"
- J = 2", 2-1/2", 3", 3-1/2"
- R = 3/4", 1", 1-1/4", 1-1/2", 2"
- U = 1/4"