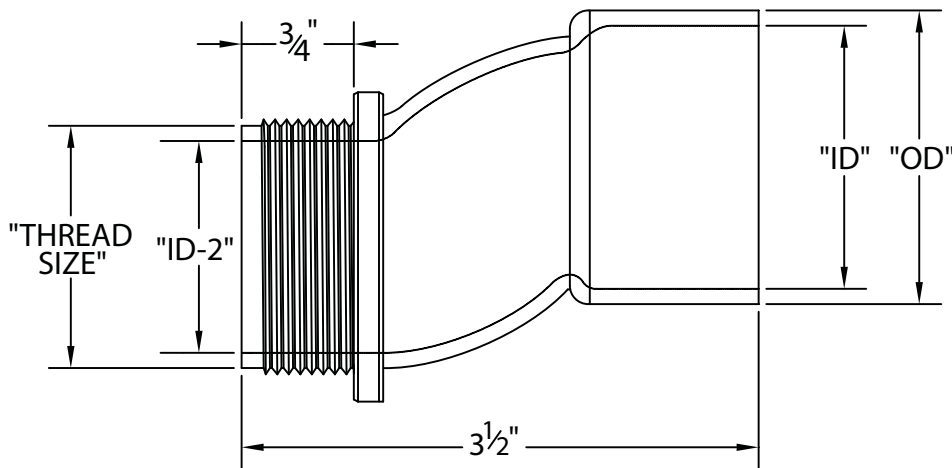


Meter Offset



Used to connect a conduit to a meter box. The offset is needed to move the path of the conduit away from a wall into the holes in a box or meter box.



Part Number	Trade Size	Carton Qty.	Thread Size	"ID"	"ID-2"	"OD"
5133183	1-1/4	15	1.625	1.625	1.375	2.000
5133185	2	8	2.313	2.375	2.000	2.188

Dimensions are nominal