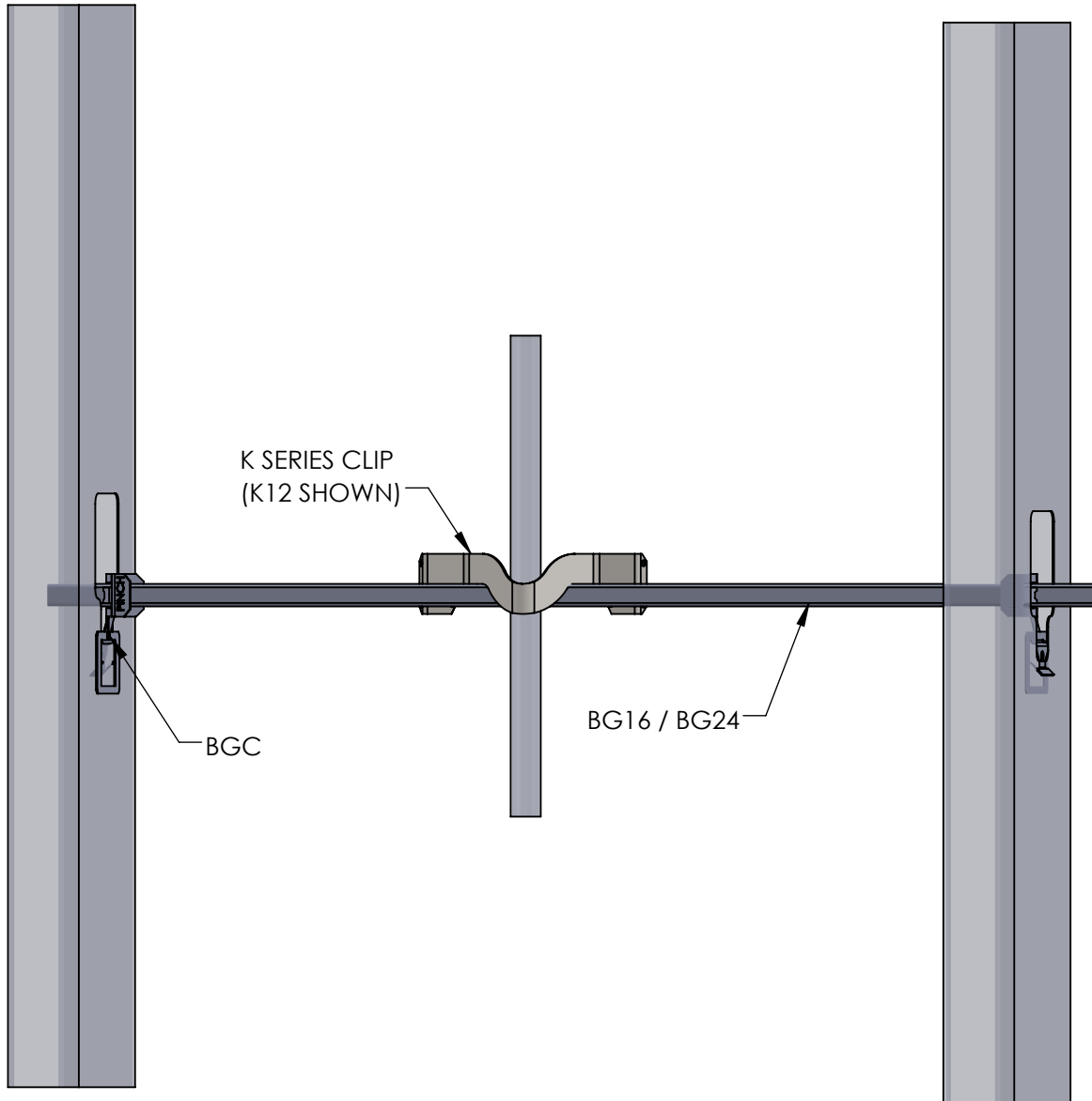


# BG SERIES Stud Spanner

PART NUMBER	DESCRIPTION	STATIC LOAD
BGC	1/4" THREADED ROD FOR STUD WALL ATTACHMENT	5 lb
	1/4" SOLID ROD FOR STUD WALL ATTACHMENT	10 lb
BG16	16" IN-WALL FIRST MEANS OF SUPPORT ASSEMBLY	10 lb
BG24	24" IN-WALL FIRST MEANS OF SUPPORT ASSEMBLY	10 lb
K SERIES CLIP	nVent CADDY CABLE / CONDUIT CLIP	SEE K SERIES

**WARNING:**

- nVent products shall be installed and used only as indicated in nVent product instruction sheets and training materials. Instruction sheets are available at [www.nVent.com](http://www.nVent.com) and from your nVent customer service representative.
- nVent products must never be used for a purpose other than the purpose for which they were designed or in a manner that exceeds specified load ratings.
- All instructions must be **completely** followed to ensure proper and safe installation and performance.
- Improper installation, misuse, misapplication or other failure to completely follow nVent's instructions and warnings may cause product malfunction, property damage, serious bodily injury and/or death, and void your warranty.
- Products that are manufactured using spring steel components shall be used only in a non-corrosive indoor environment.
- All pipe supports, hangers, intermediate components and structural attachments must **ONLY** be used as described herein and are **NEVER** to be used for any other purpose.

NOTE: All load ratings are for static conditions and do not account for dynamic loading such as wind, water or seismic loads, unless otherwise noted.

The customer is responsible for:

- Conformance to all governing codes.
- The integrity of structures to which the products are attached, including their capability of safely accepting the loads imposed, as evaluated by a qualified engineer.
- Using appropriate industry standard hardware as noted above.

**SAFETY INSTRUCTIONS:**

All governing codes and regulations and those required by the job site must be observed. Always use appropriate safety equipment such as eye protection, hard hat, and gloves as appropriate to the application.

NFPA is a registered trademark of National Fire Protection Association, Inc.  
UL is a registered trademark of UL, LLC.

nVent, CADDY, ERICO CADWELD, ERICO CRITEC, ERICO, ERIFLEX, and LENTON are owned by nVent or its global affiliates. All other trademarks are the property of their respective owners. nVent reserves the right to change specifications without prior notice.

TECHNICAL SUPPORT:  
[www.nVent.com](http://www.nVent.com)

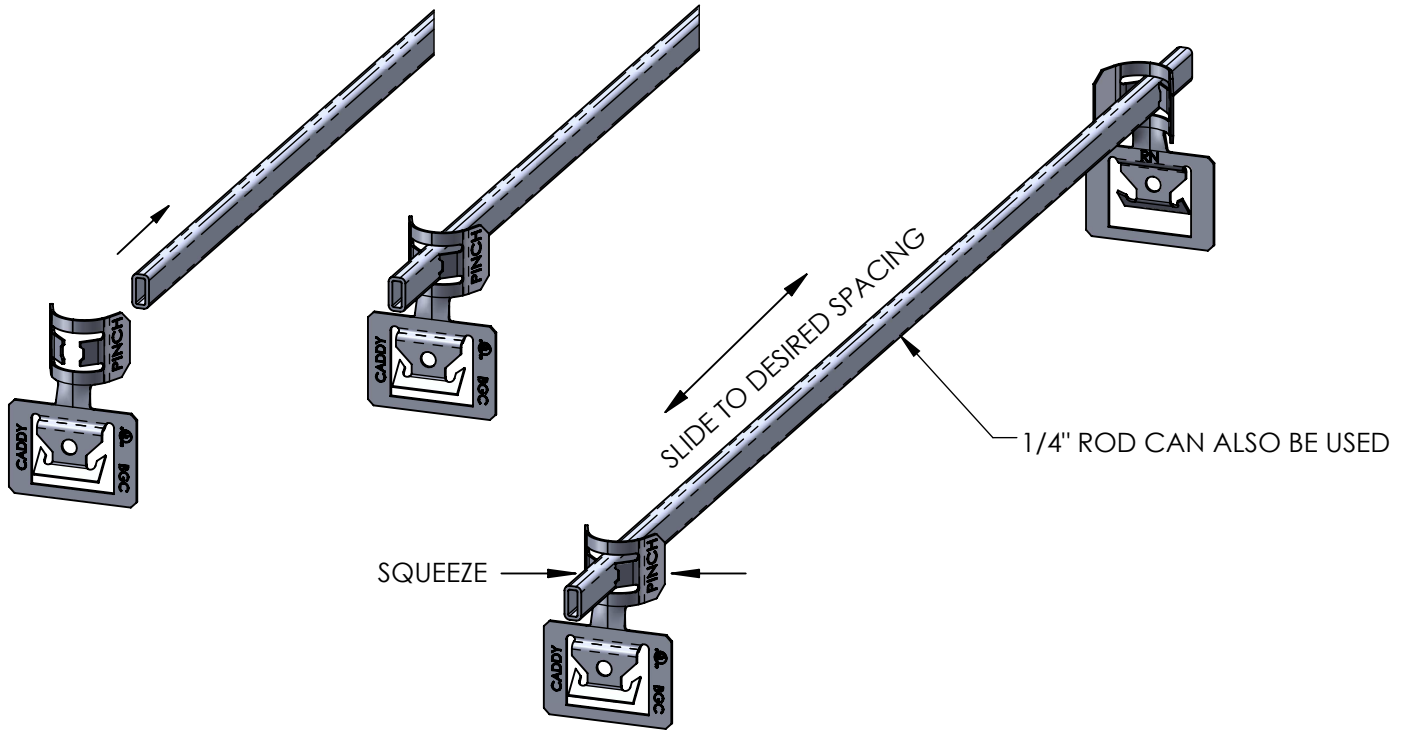
CFS606\_C

1 OF 2

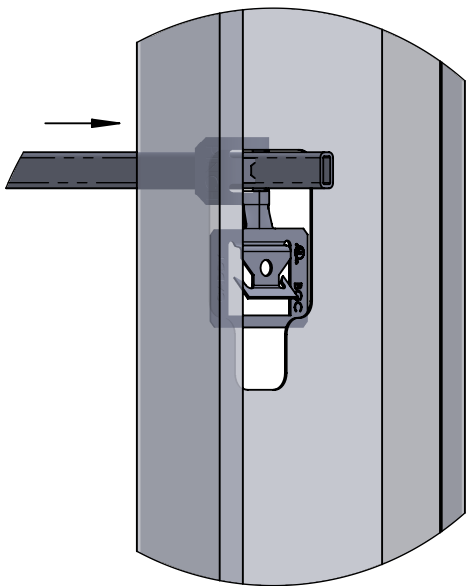
© 2019 nVent All Rights Reserved

# BG SERIES STUD SPANNER

1) SQUEEZE BGC TABS AND SLIDE ON BAR OR ROD



2) PLACE BGC IN KNOCKOUT OF STUD WALL



3) PUSH BGC ON STUD

