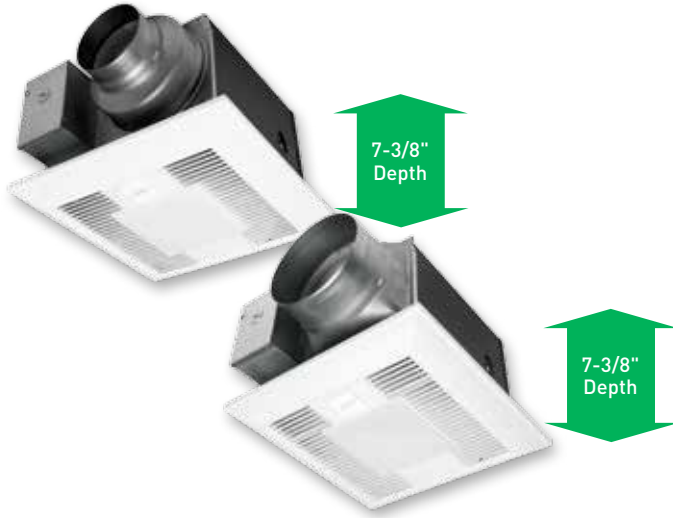


# Single Speed Fans with Lights (On/Off)

## WhisperGreen Select™ | One Fan/Light - Multiple IAQ Solutions

FV-05-11VKL1 50-80-110 CFM 4" or 6" Duct  
 FV-11-15VKL1 110-130-150 CFM 6" Duct



### WhisperGreen Select Key Benefits:

- Customizable, all-in-one fan/LED light combination
- Pick-A-Flow™ speed selector – one fan, you choose the CFM
- Plug 'N Play™ modules provide up to three value added features (select from Multi-Speed with Time Delay, SmartAction® Motion Sensor, Condensation Sensor or NiteGlo™ LED Night Light) (See page 10-11 for details)
- Revolutionary DC motor with SmartFlow™ technology for optimum CFM output
- Two replaceable, 7W, GU24 base LED lamps
- Flex-Z Fast™ installation bracket provides flexible, fast and easy installation
- Fits in 2 x 8 construction
- UL listed for tub/shower enclosure when GFCI protected
- Can be used to comply with ASHRAE 62.2, LEED, CALGreen, California Title 24, WA Ventilation Code and ENERGY STAR® for Homes 3.0



Multi-Speed with Time Delay\*  
(FV-VS15VK1)



SmartAction® Motion Sensor\*  
(FV-MSVK1)



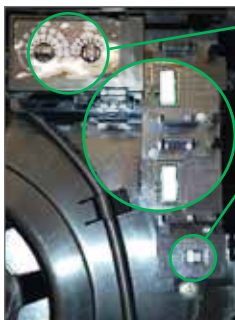
Condensation Sensor\*  
(FV-CSVK1)



NiteGlo™ LED Night Light\*  
(FV-NLVK1)

\*Optional Add-On Feature

### Plug 'N Play Receptacles & Pick-A-Flow Switch



- 1 Plug 'N Play Modules Sold Separately
- 2 Plug 'N Play Module Receptacles
- 3 Pick-A-Flow Speed Selector Switch



Flex-Z Fast installation bracket  
with articulating joints



BUILT-IN SELF ADJUSTING  
AIRFLOW TECHNOLOGY



WhisperGreen Select Characteristics	FV-05-11VKL1 (Base Fan with LED Light)						FV-11-15VKL1 (Base Fan with LED Light)					
	Static pressure in inches w.g.	0.1	0.25	0.1	0.25	0.1	0.25	0.1	0.25	0.1	0.25	0.1
Air Volume (CFM)	110	114	80	86	50	53	150	143	130	131	110	111
Noise (sones)	0.4	0.9	<0.3	0.6	<0.3	<0.3	0.6	0.9	<0.3	0.8	<0.3	0.6
Power Consumption (Watts)	11.1	18.0	6.0	11.1	4.0	7.0	16.5	24.0	12.0	21.0	8.5	16.0
Energy Efficiency (CFMs/Watt)	9.9	6.3	13.3	7.7	12.8	7.7	9.2	6.0	10.9	6.3	13.1	7.1
Speed	960	1237	837	1157	740	1081	730	941	679	926	652	914
Current	0.12	0.17	0.07	0.12	0.04	0.07	0.16	0.22	0.12	0.19	0.08	0.15
Power Rating (V/Hz)	120/60											

WhisperGreen Select Characteristics	FV-05-11VKL1 + FV-VS15VK1 (Base Fan with LED Light and Multi-Speed Time Delay Plug 'N Play™ Module)																	
	Static pressure in inches w.g.	0.1	0.25	0.1	0.25	0.1	0.25	0.1	0.25	0.1	0.25	0.1	0.25	0.1	0.25	0.1	0.25	0.1
Air Volume (CFM)	110	114	100	105	90	94	80	86	70	71	60	62	50	53	40	43	30	35
Noise (sones)	0.4	0.9	<0.3	0.8	<0.3	0.6	<0.3	0.6	<0.3	0.4	<0.3	0.3	<0.3	<0.3	<0.3	<0.3	<0.3	<0.3
Power Consumption (Watts)	11.1	18.0	8.7	15.0	7.0	12.8	6.0	11.1	4.7	8.9	3.9	7.6	4.0	7.0	2.8	5.7	2.5	5.0
Energy Efficiency (CFMs/Watt)	9.9	6.3	11.6	7.1	13.1	7.5	13.3	7.7	15.3	8.2	15.9	8.4	12.8	7.7	14.6	7.7	12.8	7.4
Speed	960	1237	926	1213	872	1184	837	1157	796	1119	769	1102	740	1081	739	1077	731	1058
Current	0.12	0.17	0.09	0.15	0.08	0.13	0.07	0.12	0.05	0.09	0.05	0.08	0.04	0.07	0.04	0.06	0.03	0.06
Power Rating (V/Hz)	120/60																	

WhisperGreen Select Characteristics	FV-11-15VKL1 + FV-VS15VK1 (Base Fan with LED Light and Multi-Speed Time Delay Plug 'N Play™ Module)																	
	Static pressure in inches w.g.	0.1	0.25	0.1	0.25	0.1	0.25	0.1	0.25	0.1	0.25	0.1	0.25	0.1	0.25	0.1	0.25	0.1
Air Volume (CFM)	150	143	130	131	120	122	110	111	100	102	90	90	80	82	70	71	60	62
Noise (sones)	0.5	0.9	<0.3	0.8	<0.3	0.6	<0.3	0.6	<0.3	0.5	<0.3	0.4	<0.3	0.4	<0.3	0.3	<0.3	<0.3
Power Consumption (Watts)	16.4	23.3	11.5	19.6	9.5	16.9	7.9	14.8	6.9	13.5	5.7	11.6	5.0	10.4	4.3	8.8	4.0	7.9
Energy Efficiency (CFMs/Watt)	9.2	6.0	10.9	6.3	12.8	7.3	13.1	7.1	14.8	7.7	16.0	7.8	16.0	7.9	16.3	8.1	15.5	8.1
Speed	730	941	679	926	669	917	652	914	644	923	631	917	633	918	624	904	634	910
Current	0.16	0.22	0.12	0.19	0.10	0.17	0.08	0.15	0.07	0.14	0.06	0.12	0.06	0.11	0.05	0.09	0.05	0.08
Power Rating (V/Hz)	120/60																	



INCLUDES: (2) replaceable,  
7W ENERGY STAR® rated,  
GU24 base LED lamps.  
3000 Kelvin/80+ CRI/  
550 Lumens per lamp/  
80 Lumens per watt/  
40,000 hours rated  
average life.



**Flex-ZFast™**

*CALGreen*



## Cross Reference for Applicable WhisperControl & EcoSwitch to Panasonic Fans

	Model	FV-WCCS1-W/A	FV-WCCS2-W/A	FV-WCD01-W/A	FV-WCD02-W/A	FV-WCSW11-W/A	FV-WCSW21-W/A	FV-WCSW31-W/A	FV-WCSW41-W	FV-WCPT1-W
	Switch Type	Condensation Sensor On/Off	Condensation Sensor On/Off/Light	Countdown & Hourly Timer	Countdown & Hourly Timer	1 Function Control	2 Function Control	3 Function Control	4 Function Control	SmartExhaust
WhisperGreen Select	FV-05-11VK1	X		X		X				
	FV-11-15VK1	X		X		X				
	FV-05-11VKS1	X		X		X				
	FV-05-11VKL1		X		X		X			
	FV-11-15VKL1		X		X		X			
	FV-05-11VKSL1				X		X**			
WhisperRecessed/Recessed LED	FV-08VRL1		X				X			X
	FV-08VRE1		X				X			X
WhisperCeiling	FV-05VQ5	X		X		X				X
	FV-08VQ5	X		X		X				X
	FV-11VQ5	X		X		X				X
	FV-15VQ5	X		X		X				X
	FV-20VQ3	X		X		X				X
	FV-30VQ3	X		X		X				X
	FV-40VQ4	X		X		X				X
	FV-08VQL6		X		X		X	X		X
	FV-11VQL6		X		X		X	X		X
	FV-15VQL6		X		X		X	X		X
WhisperSense Lite	FV-08VQCL6				X		X**			X
	FV-11VQCL6				X		X**			X
WhisperFit EZ	FV-08-11VF5	X		X		X				X
	FV-08-11VFL5		X		X		X	X		X
WhisperValue	FV-05VS3	X		X		X				X
	FV-08VS3	X		X		X				X
	FV-10VS3E	X		X		X				X
	FV-08VSL3		X		X		X	X		X
	FV-10VSL3E		X		X		X	X		X
EcoVent	FV-07VBA1	X		X		X				X
	FV-07VBB1	X		X		X				X
WhisperSupply Wall	FV-01WS2	X		X		X				
	FV-04WS2	X		X						
WhisperWall	FV-08WQ1	X		X		X				X
WhisperWarm/Warm Lite	FV-11VH2*			X*		X*				X
	FV-11VHL2*			X*	X				X*	X
WhisperLine	FV-10NLF1E	X		X		X				
	FV-20NLF1	X		X		X				
	FV-30NLF1	X		X		X				
	FV-40NLF1	X		X		X				
WhisperComfort	FV-04VE1						X			

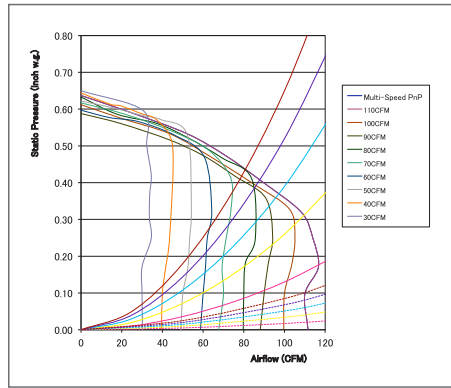
WhisperFit EZ with Motion Sensor, WhisperSense, and WhisperGreen Select S/M models are not compatible with the above switches.

\*Needs 1 control per function; \*\*Switch is for light and night-light only.

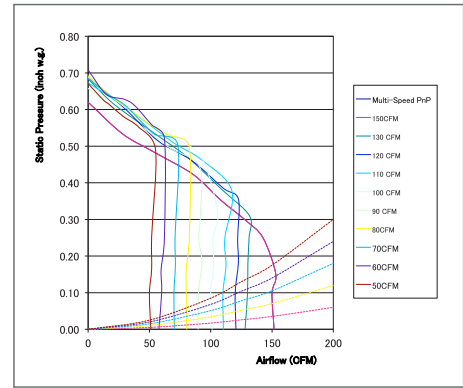
# Single Speed Fans with Lights — Performance Curves



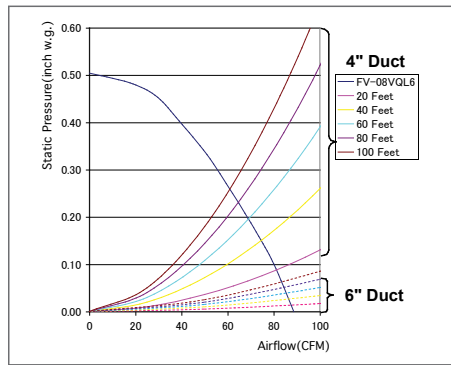
**FV-05-11VKL1** 50-80-110 CFM 4" or 6" Duct



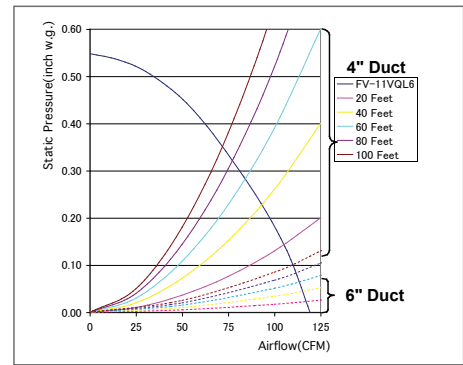
**FV-11-15VKL1** 110-130-150 CFM 6" Duct



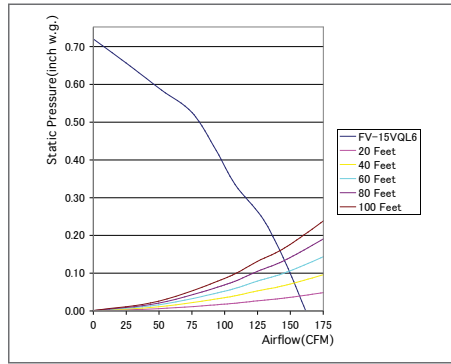
**FV-08VQL6** 80 CFM 4" or 6" Duct



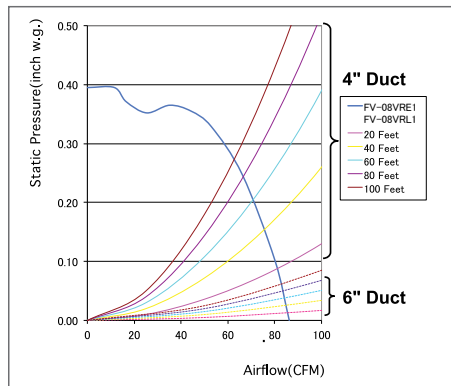
**FV-11VQL6** 110 CFM 4" or 6" Duct



**FV-15VQL6** 150 CFM 6" Duct

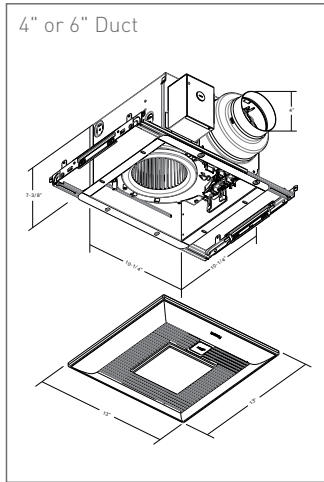


**FV-08VRE1 & FV-08VRL1** 80 CFM 4" or 6" Duct

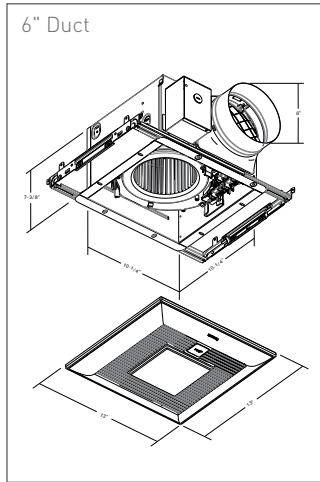


# Single Speed Fans with Lights — Dimensional Drawings

## WhisperGreen Select™ VENTILATION FAN

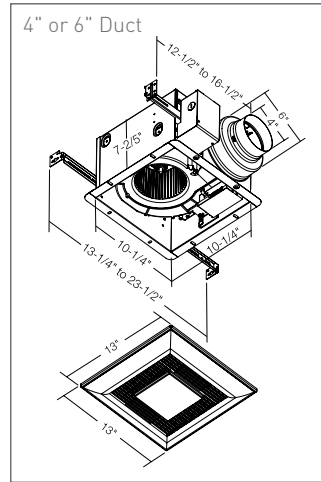


FV-05-11VKL1

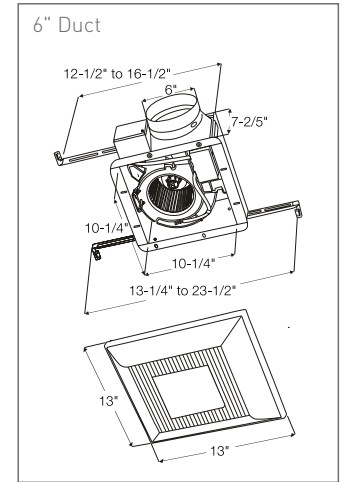


FV-11-15VKL1

## WhisperLite® VENTILATION FAN

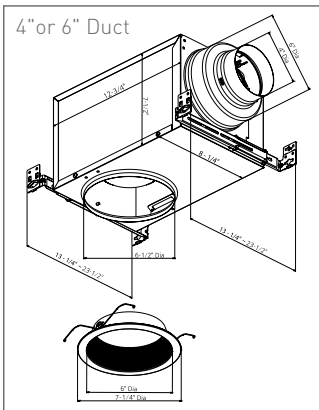


FV-08VQL6 / FV-11VQL6



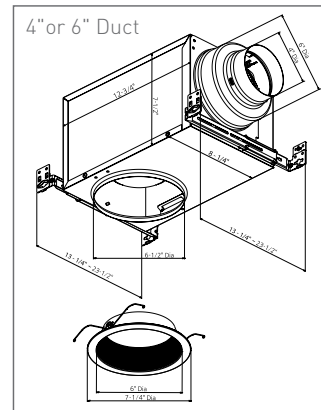
FV-15VQL6

## WhisperRecessed LED™ VENTILATION FAN



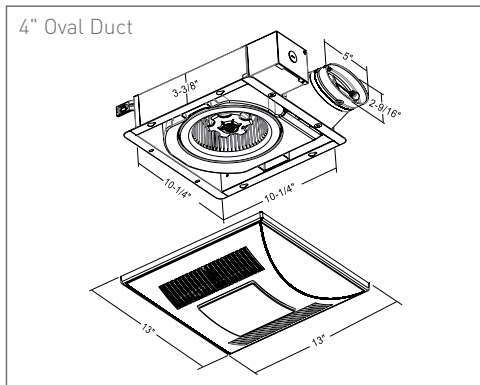
FV-08VRE1

## WhisperRecessed™ VENTILATION FAN



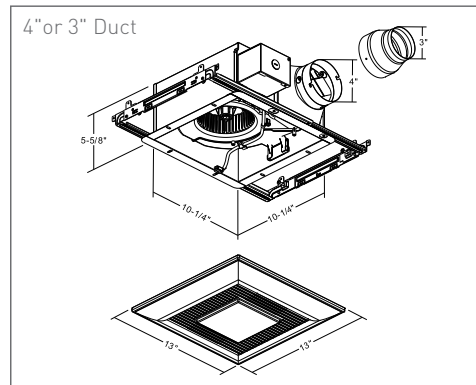
FV-08VRL1

## WhisperValue Lite™ VENTILATION FAN



FV-08VSL3 / FV-10VSL3E

## WhisperFit E2 VENTILATION FAN



FV-08-11VFL5