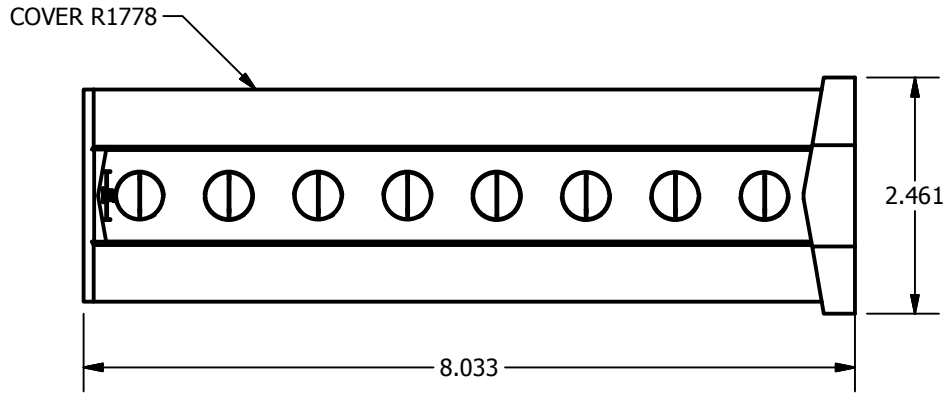
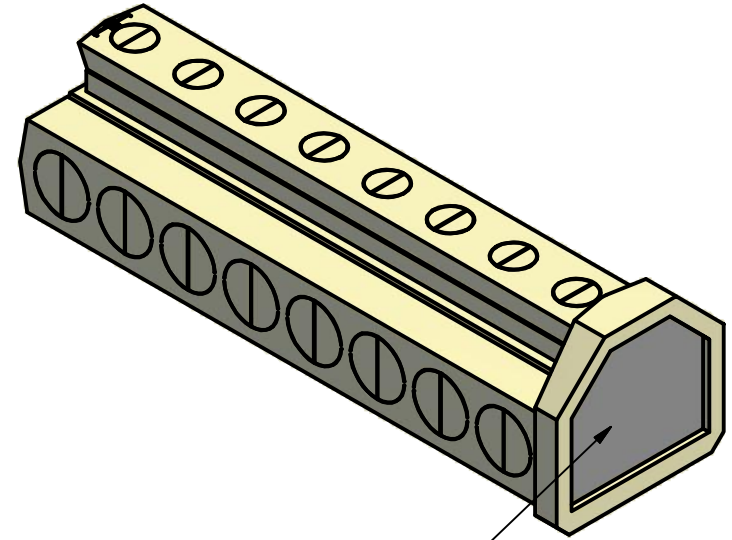


SCREW: E0969	MATERIAL: NONE	REV: C	<b>ILSCO</b> connections matter	
CAT. NO.: SEE CHART	PLATING: NONE	DRAWN BY: NN	SCALE: 1/2	800-776-9775 www.ilsco.com
INFORMATION SHEET: FORM 1	MARKING: NONE	DATE: 6/12/2008	SIZE: A	DWG. NO. <b>M2871</b>
				SHEET: 1 OF 1

CAT. NO.	OUTLETS	L
PCT-2-4/0	2	2.453
PCT-4-4/0	4	4.313
PCT-6-4/0	6	6.173
PCT-8-4/0	8	8.033



R7145 END CAP

