
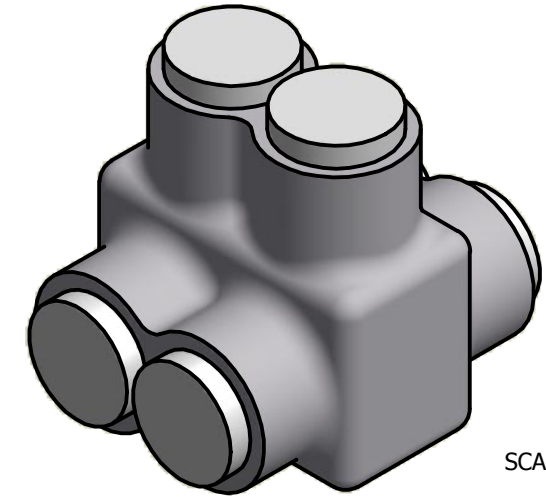
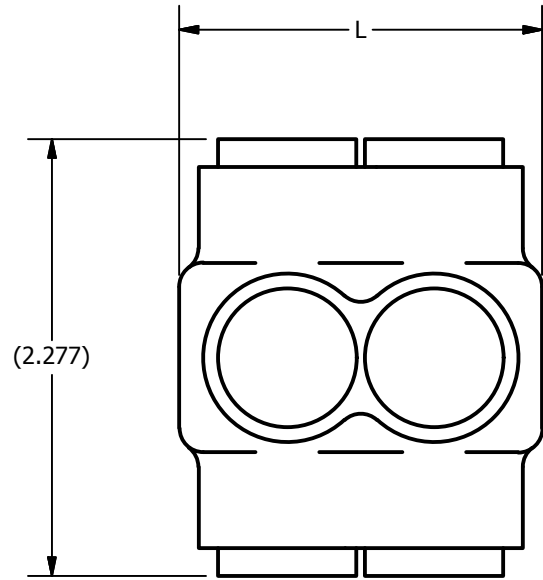
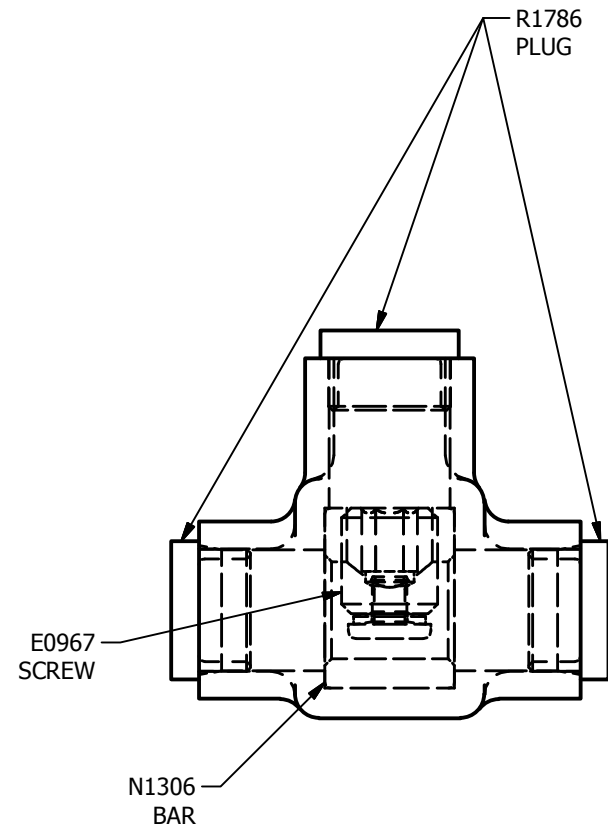
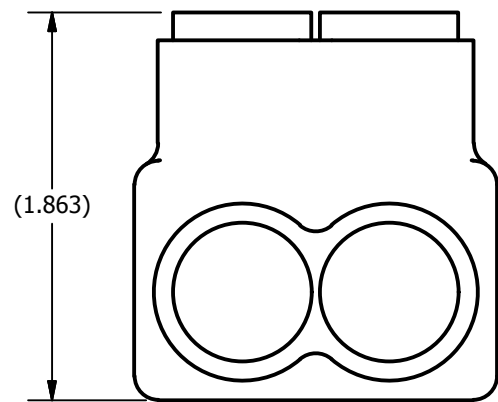


SCREW: E0950	MATERIAL: NONE	REV: H	 800-776-9775 www.ilSCO.com
CAT. NO.: SEE CHART	PLATING: NONE	DRAWN BY: JG SCALE:	
INFORMATION SHEET: FORM 1	MARKING: NONE	DATE: 1/18/2008 SIZE: B	
			DWG NO: M2900
			SHEET: 1 OF 1



SCALE 1 : 1



CATALOG #	"L"	# OF SCREW PORTS
PBTD-2-3/0	1.790	2
PBTD-3-3/0	2.568	3
PBTD-4-3/0	3.346	4
PBTD-5-3/0	4.124	5
PBTD-6-3/0	4.902	6
PBTD-7-3/0	5.680	7
PBTD-8-3/0	6.458	8
PBTD-9-3/0	7.236	9
PBTD-10-3/0	8.014	10
PBTD-11-3/0	8.792	11
PBTD-12-3/0	9.570	12
PBTD-13-3/0	10.348	13
PBTD-14-3/0	11.126	14