

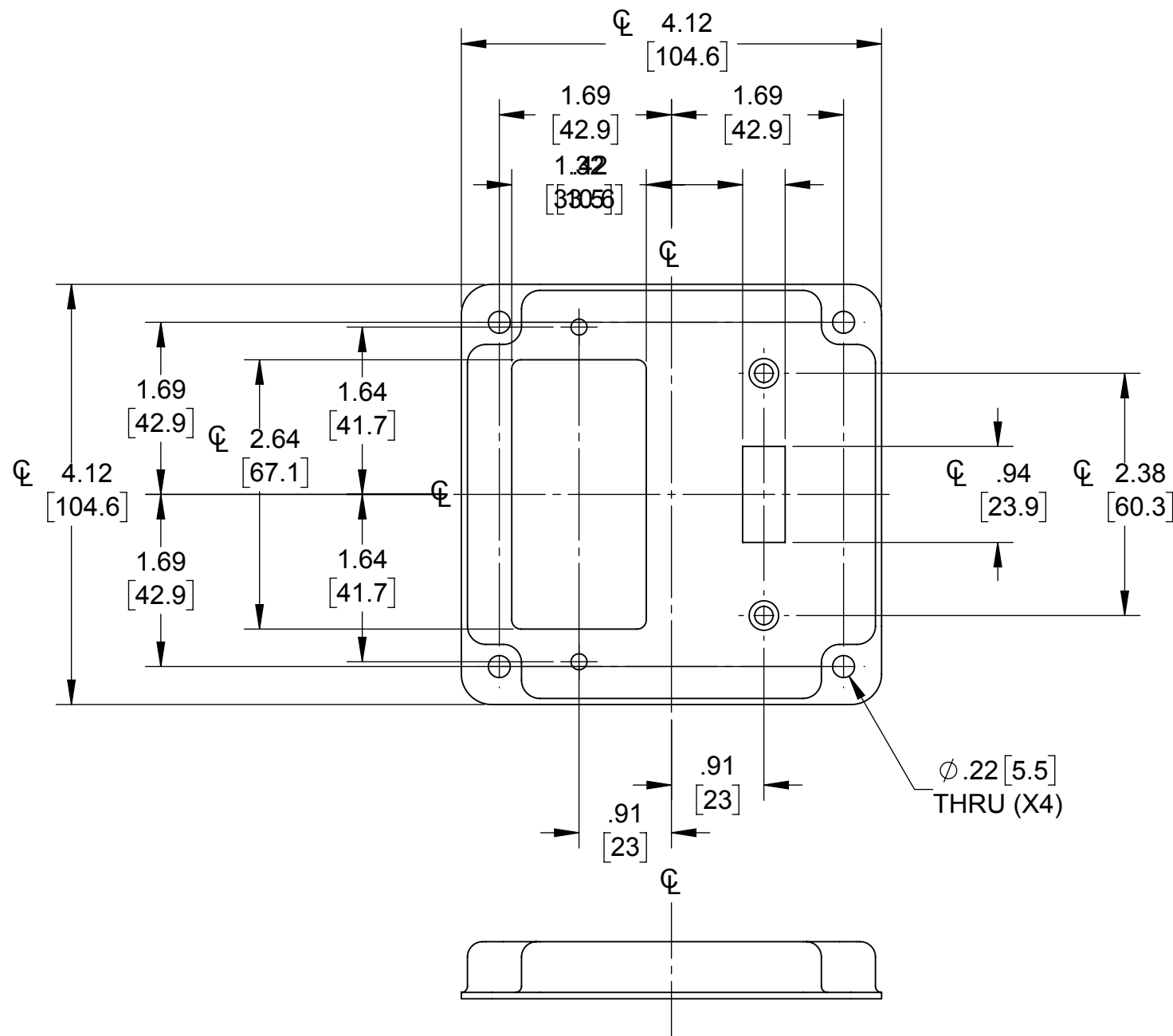
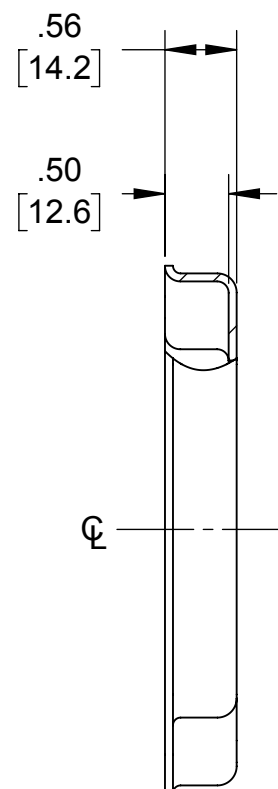
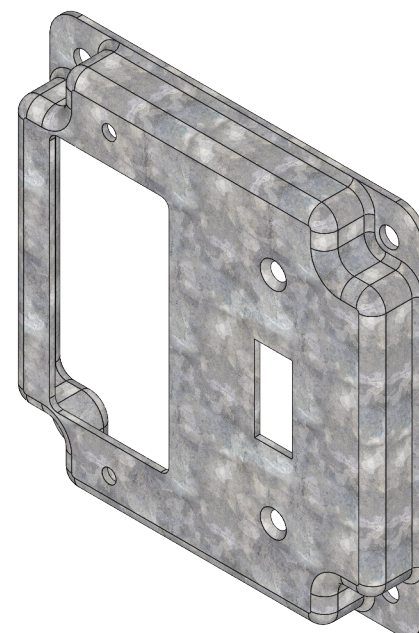
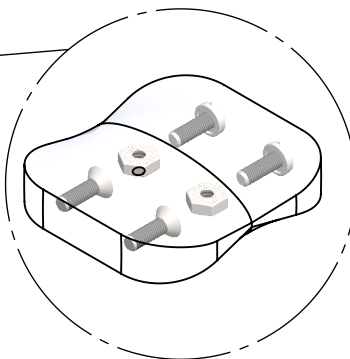
**LIST OF PARTS**

| DESCRIPTION | MATERIAL | FINISH     |
|-------------|----------|------------|
| COVER       | STEEL    | GALVANIZED |
| SCREWS      | STEEL    | GALVANIZED |
| NUTS        | STEEL    | GALVANIZED |
|             |          |            |
|             |          |            |
|             |          |            |
|             |          |            |

#6-32 X 7/16" COUNTERSINK  
MACHINE SCREWS (QTY.2)

#6-32 X 11/32" BINDING HEAD  
MACHINE SCREWS (QTY.2)

#6-32 X 7/16" NUTS (QTY.2)



- NOTES:
- ALL DIMENSIONS ARE IN INCHES AND [MILLIMETERS]
  - BOX VOLUME: 6.5 IN<sup>3</sup> [107] CM<sup>3</sup>
  - UL LISTED

| SYM. | REVISION DESCRIPTION | APP  | DATE     |
|------|----------------------|------|----------|
|      | INITIAL RELEASE      | N.S. | 03-31-17 |

THE DESIGN AND DIMENSIONS OF THE PRODUCT SHOWN ON THIS DRAWING ARE SUBJECT TO CHANGE WITHOUT NOTICE

TITLE:  
**4" SQ. CRUSHED CORNER COVER,  
(1) TOGGLE SWITCH & (1) GFCI**

|                                    |                         |                          |
|------------------------------------|-------------------------|--------------------------|
| <b>RACO</b><br>South Bend, Indiana |                         | SCALE:<br><b>1:1.5</b>   |
| DRAWN BY:<br><b>RMV</b>            | APP. BY:<br><b>N.S.</b> | DATE:<br><b>03-31-17</b> |