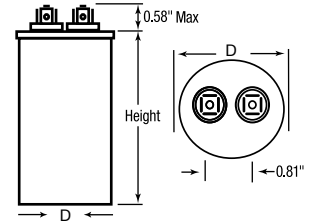


ProLume. Metal Halide Ballast Specifications

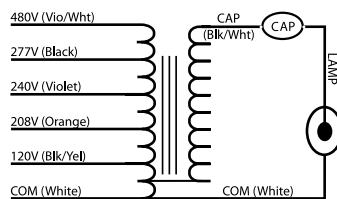
BALLAST SPECIFICATIONS					
Input Volts	120V	208V	240V	277V	480V
Frequency	60Hz				
Circuit Type	CWA				
Input Power	452W				
Starting Current	2.9A	1.7A	1.5A	1.1A	0.7A
Operating Current	4.0A	2.3A	2.0A	1.8A	1.0A
Open Circuit Current	2.9A	1.7A	1.5A	1.2A	0.7A
Recommended Fuse	12A	8A	6A	6A	4A
Open Circuit Volts	300V				
Short Circuit Current (Input)	1.1-3.3A	0.7-2.1A	0.6-1.8A	0.5-1.5A	0.3-0.9A
Short Circuit Current (Secondary)	3.2-5.0A				
Insulation System	Class H, 180°C				
UL 1029 Bench Top Rise Code	B	B	C	C	C
Min. Starting Temp	-22°F / -30°C				

CAPACITOR



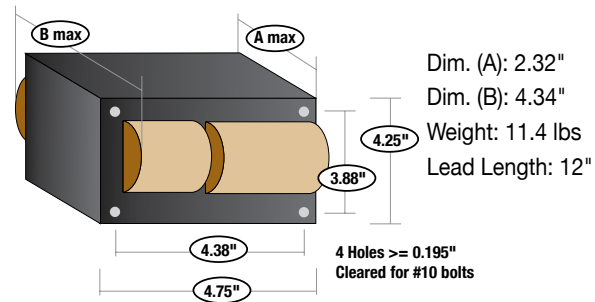
Diameter: 1.88"
 Height: 3.75"
 Cap.: 24µF
 Minimum Volts: 400V
 Case Max. Temp.: 90°C

WIRING DIAGRAM



Cap unused leads with wire nuts.

BALLAST DIMENSIONS



Actual performance can vary depending on operating conditions. Specifications are subject to change without notice. All specifications are nominal unless otherwise noted.

PN# 55154

