
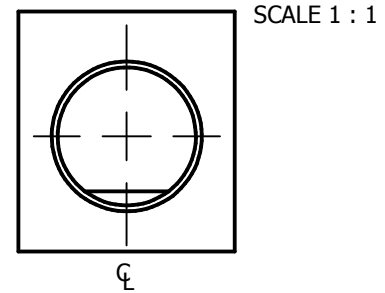
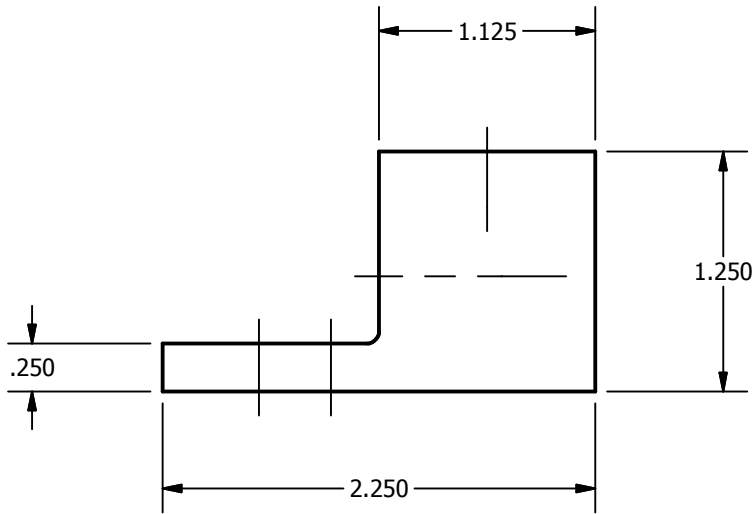
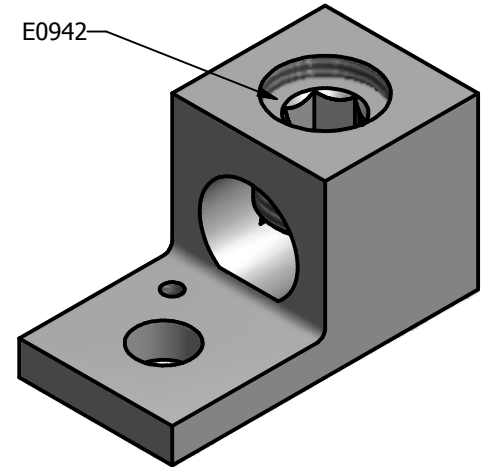
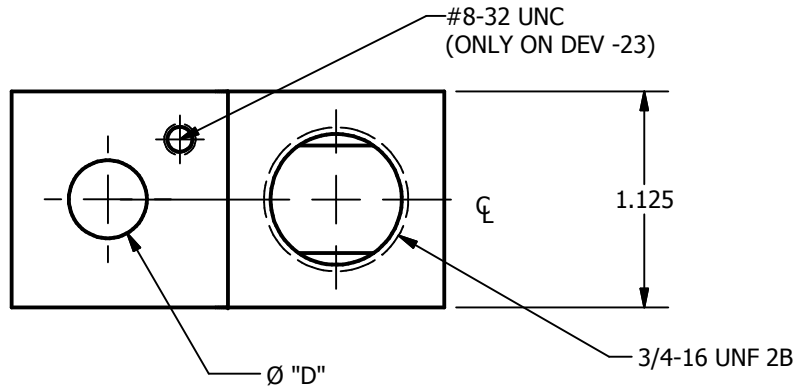









SCREW: SEE CHART	MATERIAL: ALUMINUM	REV: N	 800-776-9775 www.ilsco.com
CAT. NO.: TA-350	PLATING: EL-TIN	DRAWN BY: NN SCALE: 1/2	
INFORMATION SHEET: SEE CHART	MARKING: SEE CHART	DATE: 12/10/2007 SIZE: A	
		DWG. NO. <b>D0981</b>	
		SHEET: 1 OF 1	



DEV.	"D"	MARKING	STUFFER SHEET
C10T	.406	BKB, ADR35, 350-6, AL9CU 	FORM 96
C11T	.562	BKB, ADR352, 350-6, AL9CU 	FORM 96
C22T	.406	ILSCO, D981, TA-350, 350kcmil-6, AL9CU 	FORM 1
C23T	.406	ILSCO, D981, TA-350, 350kcmil-6, AL9CU 	FORM 1
C24T	.406	ILSCO, D981, TA-350, 350kcmil-6, AL9CU 	FORM 1
C25T	.312	ILSCO, D981, TA-350, 350kcmil-6, AL9CU 	FORM 1
C42T	.562	ILSCO, D981, TA-350, 350kcmil-6, AL9CU 	FORM 1