

SGD Dusk-to-Dawn

SLING SWITCHABLE SERIES

tradeSELECT®

FEATURES

- Multi-purpose dusk-to-dawn LED luminaire provides general purpose area, security, roadway and landscape lighting
- Field Switchable Lumens 40 and 60 Watts
- Field Switchable CCT (4000K, 4500K, 5000K)
- Low profile housing with less than 1% uplight for environmentally friendly installations
- Includes photocontrol for automatic off during daylight hours
- Clamp for 1-5/8" to 2-3/8" diameter pipe
- 0-10V dimming driver
- Lumen and CCT Switchable now available. See ordering Guide



SGD Light Grey Finish with 3-Pin



SGD Bronze Finish with 3 Pin



SPECIFICATIONS

CONSTRUCTION

- Rugged die-cast aluminum housing with corrosion resistant powder coat finish both protects and provides architectural appearance
- Heat dissipating fins provide superior thermal performance extending the life of the electronic components
- Drop lens is made of polycarbonate with self-retaining screws
- Arm can be ordered separately as an accessory
- Lumen and CCT Switchable now available. See ordering Guide

OPTICS

- Type 5 distribution

INSTALLATION

- Clamp for 1-5/8" to 2-3/8" diameter pipe

ELECTRICAL

- For use in 120-277V applications
- 0-10V dimming driver

CONTROLS

- ANSI 3-pin with lock photocontrol included for automatic off during daylight hours

CERTIFICATIONS

- Fixture is IP65 rated
- Listed to UL1598 for use in wet locations
- DLC® (DesignLights Consortium Qualified), with some Premium Qualified configurations. Not all product variations listed in this document are DLC® qualified. Refer to <http://www.designlights.org> for the most up-to-date list

WARRANTY

- 5 year warranty

KEY DATA	
Lumen Range	5696–8274
Wattage Range	40–60
Efficacy Range (LPW)	145–156
Fixture Projected Life (Hours)	>60K
Weights lbs. (kg)	7.47 (3.39)

ORDERING GUIDE

STOCK ORDERING INFORMATION

Catalog Number	Distribution	Wattage	Voltage	Delivered Lumens	CCT/CRI	LPW	Weight lbs. (kg)	Color
SGD-60-LSCS	Type 5	40-60	120-277V	6230-8175	4K, 45K, 5K	145-156	7.47 (3.4)	Bronze
SGD-60-LSCS-GR	Type 5	40-60	120-277V	6230-8175	4K, 45K, 5K	145-156	7.47 (3.4)	Light Grey
SGD-60-4K-GR	Type 5	60	120-277V	8274	4000K/70	145	7.47 (3.4)	Light Grey
SGD-40-4K	Type 5	40	120-277V	5696	4000K/70	145	7.47 (3.4)	Bronze
SGD-60-4K	Type 5	60	120-277V	8274	4000K/70	145	7.47 (3.4)	Bronze

SGD Dusk-to-Dawn

AREA/SITE/ROAD LIGHTER

ACCESSORIES

Catalog Number	Description
<input type="checkbox"/> ARM-DD24	Arm Accessory
<input type="checkbox"/> ARM-DD30	Arm Accessory

ELECTRICAL DATA

Nominal Wattage	Input Voltage	Oper. Current (Amps)	System Power (Watts)
40	120	0.33	39.4
	208	0.19	
	240	0.16	
	277	0.14	
60	120	0.47	56.9
	208	0.27	
	240	0.23	
	277	0.20	

PROJECTED LUMEN MAINTENANCE

Ambient Temperature	OPERATING HOURS					
	0	25,000	TM-21-11 36,000	50,000	100,000	L70 (Hours)
25°C / 77°F	1.00	0.95	0.93	0.90	0.81	170,000
40°C / 104°F	0.99	0.94	0.92	0.89	0.80	165,000

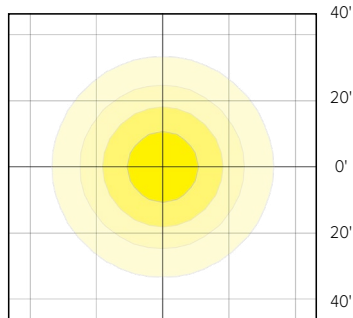
LUMINAIRE AMBIENT TEMPERATURE FACTOR (LATF)

Ambient Temperature		Lumen Multiplier
0°C	32°F	1.03
10°C	50°F	1.01
20°C	68°F	1.00
25°C	77°F	1.00
30°C	86°F	0.99
40°C	104°F	0.98

Use these factors to determine relative lumen output for average ambient temperatures from 0-40°C (32-104°F).

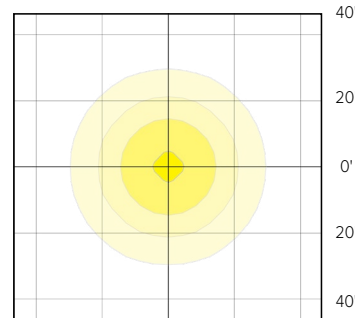
PHOTOMETRY

SGD-40-4K

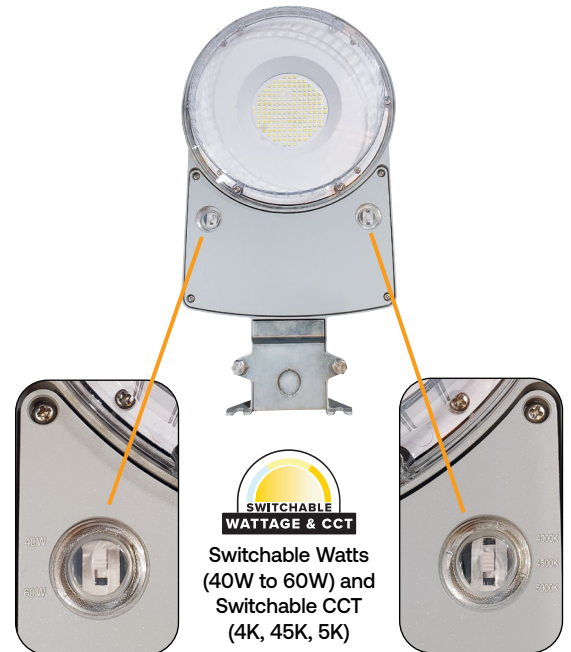


Mounting Distance: 30'

SGD-60-4K



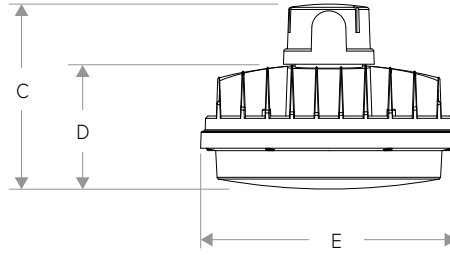
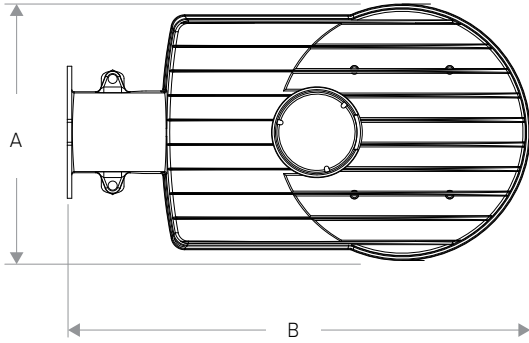
Mounting Distance: 40'



SGD Dusk-to-Dawn

AREA/SITE/ROAD LIGHTER

DIMENSIONS



A	B	C	D	E	Weight
8.9" (226mm)	16.1" (408mm)	6.4" (163mm)	4.6" (115.6mm)	8.9" (226mm)	2.75lbs (1.25kg)