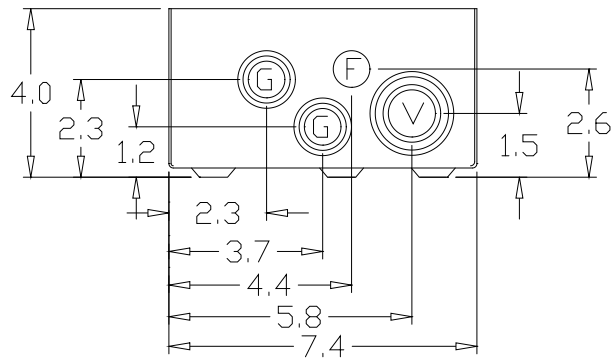
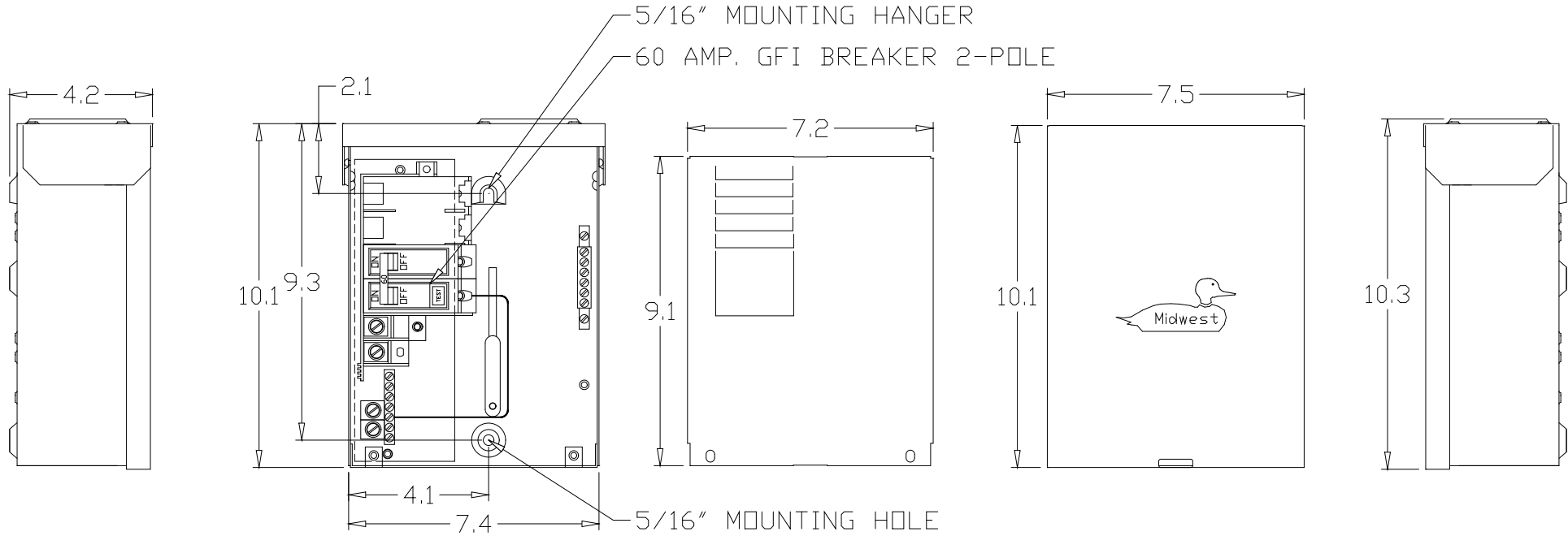



WIRE RANGE:  
#6-2/0 AWG CU-AL



KNOCKOUT TABLE:

F = 1/2" KO
G = 1/2", 3/4", 1" KO
V = 3/4", 1", 1-1/4", 1-1/2" KO

MIDWEST ELECTRIC  
PRODUCTS, INC.  
Mankato, MN



Dr. By: JDE  
Ck. By:  
CR: R0746662

\* = Critical To Quality  
Unless Otherwise Specified  
Tolerances On:  
3 Pl. Decimals ± .010  
2 Pl. Decimals ± .030  
Fractions ± 1/32  
Angles ± 1/2°  
Holes ± .003  
Dimensions Are In Inches

AutoCad  
Generated

SCALE 1 : 1	SIZE A
----------------	-----------

SHEET 1 OF 1

TITLE: UG412RMW260  
OUTLINE DRAWING  
DWG NO: 265A6315

SH4

Rev.1 CR: R0746662 -JDE 1-11-08