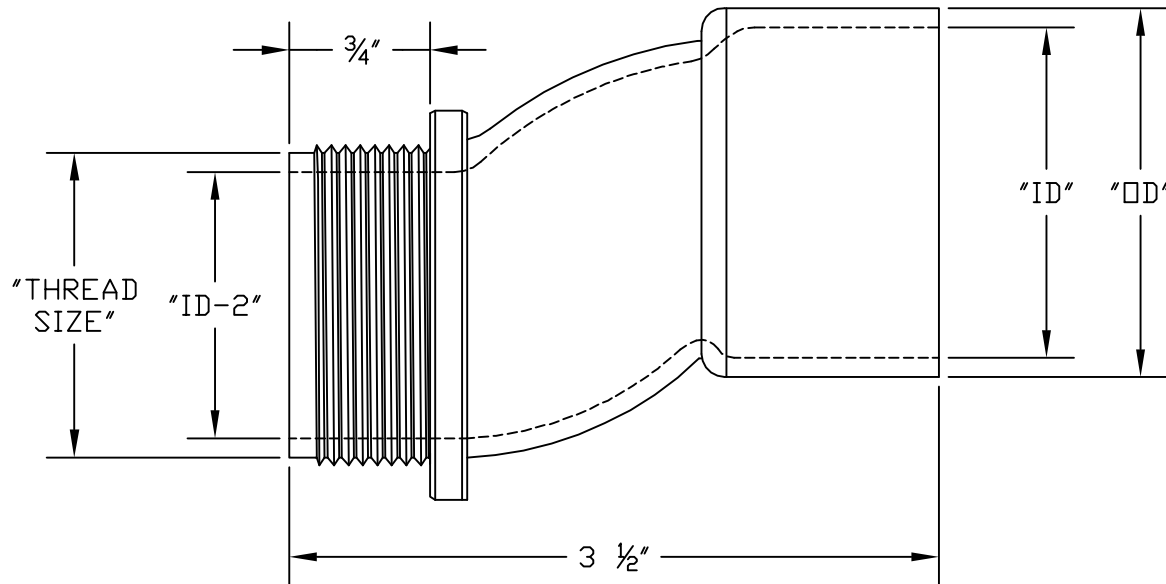
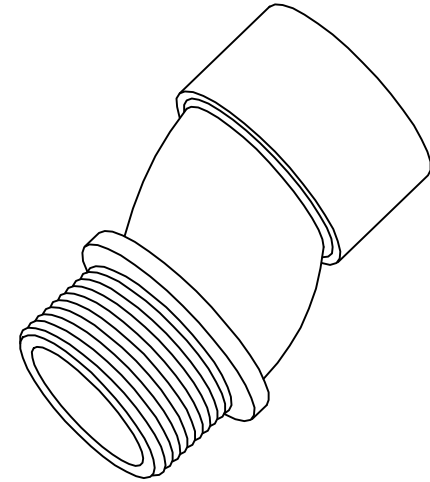


PART NUMBER	SIZE	"THREAD SIZE"	"ID"	"ID-2"	"OD"
5133183	1 ¼"	1 ⅝"	1 ⅝"	1 ⅜"	2"
5133185	2"	2 ⅝"	2 ⅜"	2"	2 ⅜"



UL LISTED (UL 651)
 UL FILE NO E81590
 CATEGORY CODE DWTT
 CONTROL NO. 93G7
 MATERIAL - PVC
 ALL DIMENSIONS IN INCHES

NEMA TC-3 COMPLIANT



TOLERANCES

± 1/16

CANTEX
 INC.
 Fort Worth, TEXAS

Meter Offsets
 Schedule 40 & 80 Special Fittings

Drawn By: CD Branch

Date:03/14/08

Ref.