

# ENVIROFAN

Silver Line

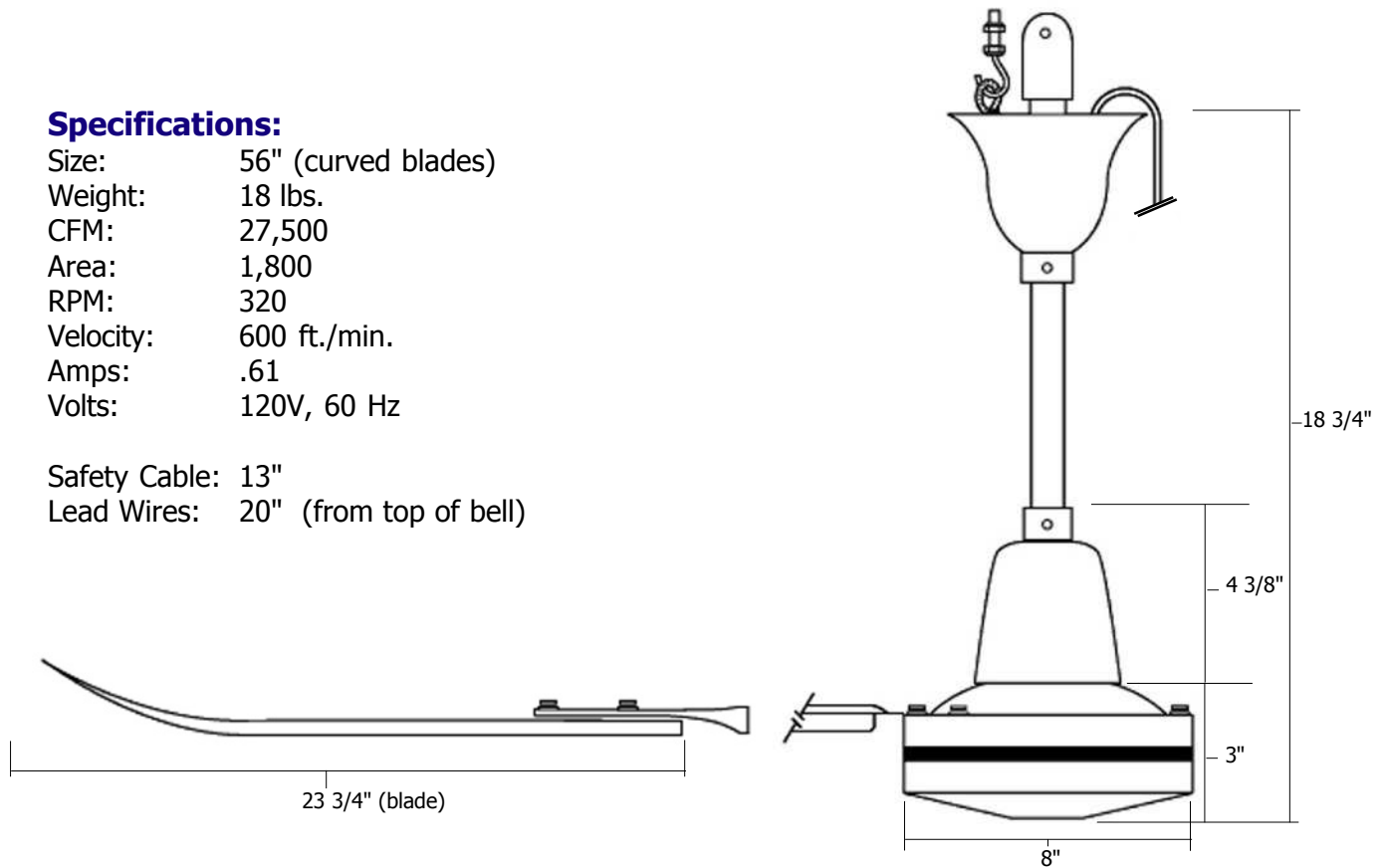
60F-9

## Specifications:

Size: 56" (curved blades)  
Weight: 18 lbs.  
CFM: 27,500  
Area: 1,800  
RPM: 320  
Velocity: 600 ft./min.  
Amps: .61  
Volts: 120V, 60 Hz

Safety Cable: 13"

Lead Wires: 20" (from top of bell)



## Features:

Thermo Protected Motor  
Secondary Support Cable  
Stamped Steel Motor Housing  
Steel Blades  
UL Listed - Meets all 507 standards  
3 year warranty  
10" Downrod (1/2" i.d.)



## Note:

To reduce risk of injury to persons, install fan so that blades are at least 10 feet above floor  
Technical specifications subject to change without notice

## Northwest Envirofan

A Division of Northwest Environmental Systems, Inc.

Envirofan Ceiling Fans • Protecto-Guard Ceiling Fan Guards • Fan Controls

800-236-7080

(920) 235-7808

FAX (920) 235-3049