
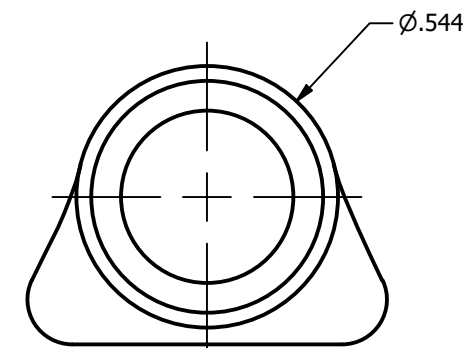
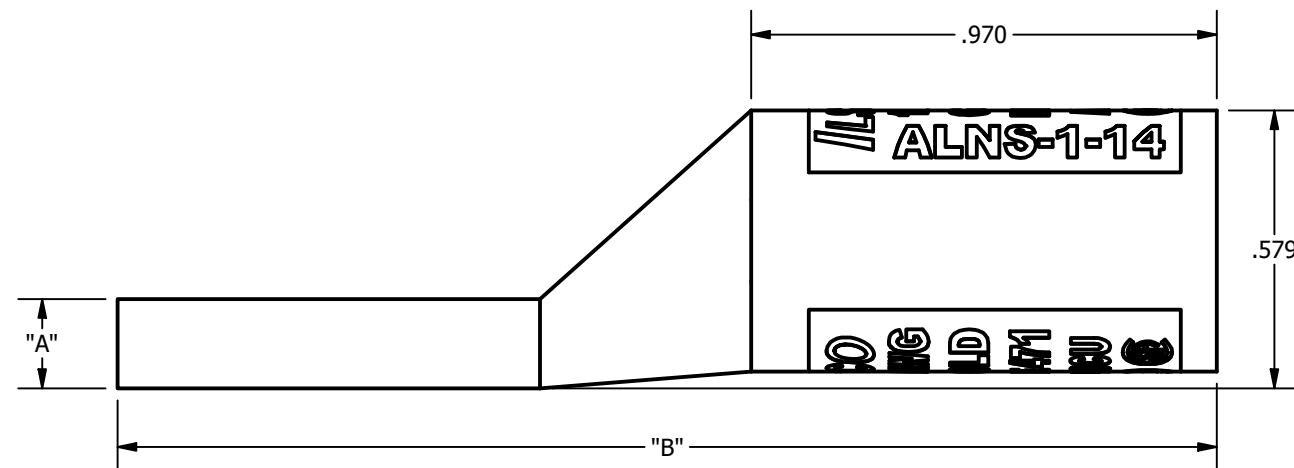
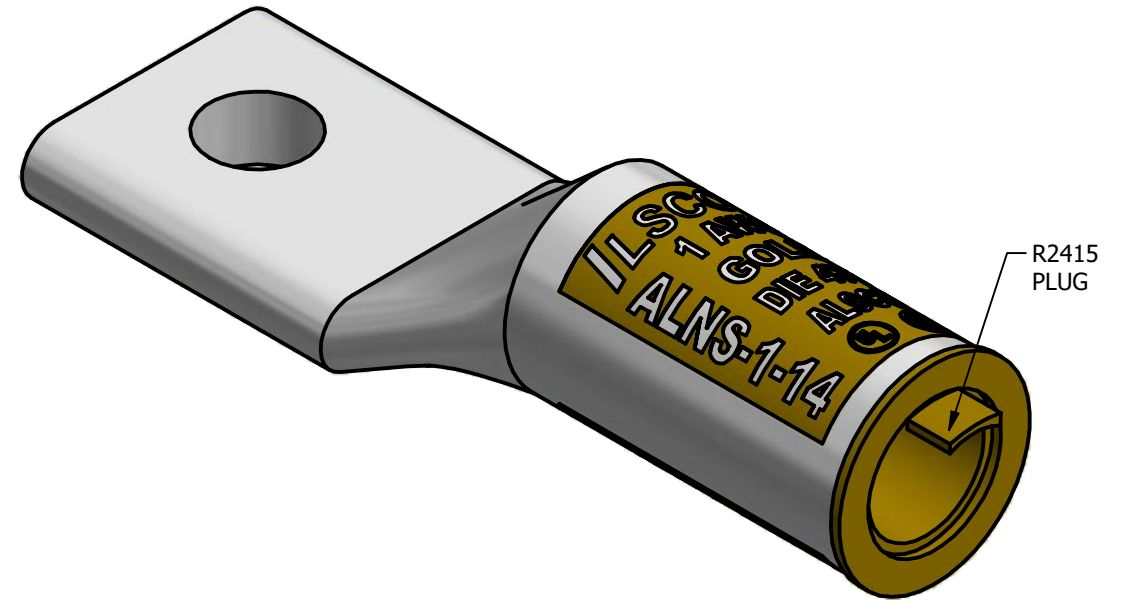
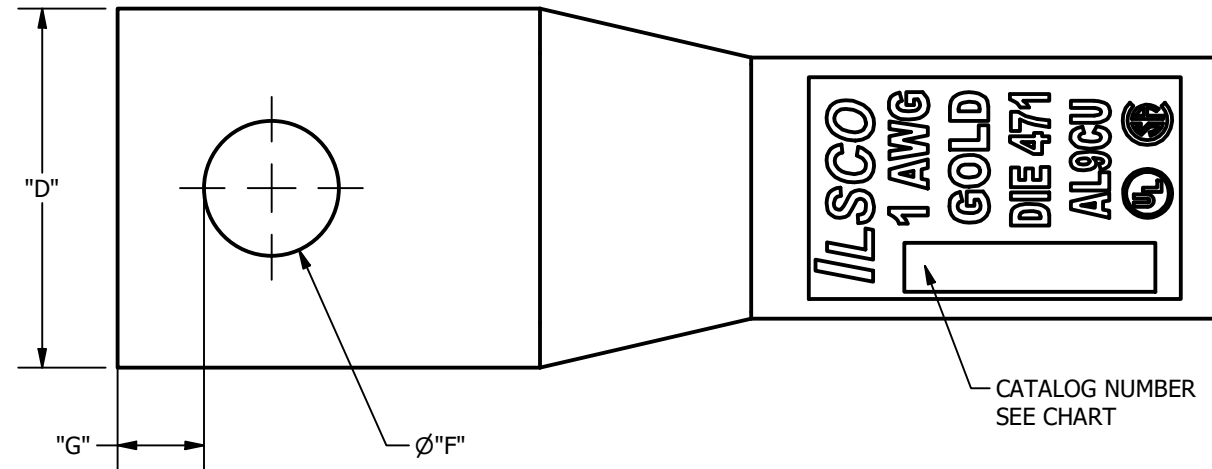


SCREW: NONE	MATERIAL: ALUMINUM	REV: Q	 800-776-9775 www.ilSCO.com
CAT. NO.: SEE CHART	PLATING: EL-TIN	DRAWN BY: NWV SCALE: NTS	
INFORMATION SHEET: FORM 196	MARKING: NO TANG MARKING	DATE: 5/30/2013 SIZE: B	
			DWG NO: YA0603, YAN0603 Single SHEET: 1 OF 1



CATALOG NUMBER	"A"	"B"	"D"	"F"	"G"
ALNS-1-14	0.186	2.290	.748	0.281	.180
ALNN-1-14	0.186	2.286	.543	0.281	.180
ALNS-1-516	0.186	2.286	.725	0.343	.181
ALNN-1-516	0.186	2.290	.531	0.343	.181
ALNS-1-38	0.186	2.290	.748	0.406	.211