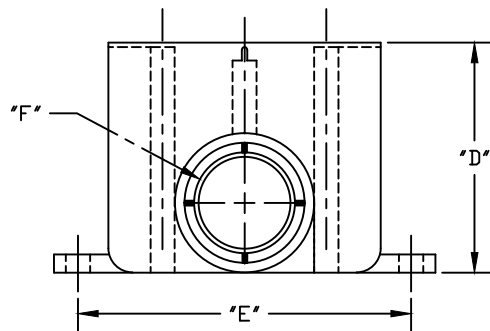
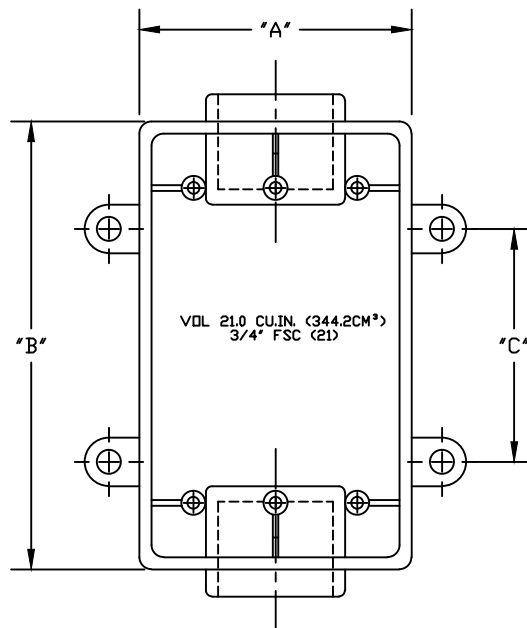
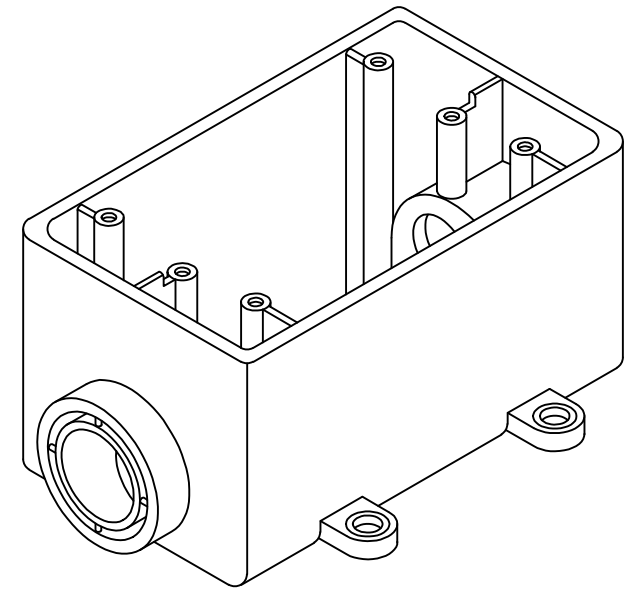


PART NUMBER	SIZE	"A"	"B"	"C"	"D"	"E"	"F"
5133463	1/2	2 13/16"	4 9/16"	2 5/8"	2 15/16"	3 1/2"	7/8"
5133464	3/4	2 13/16"	4 9/16"	2 5/8"	2 15/16"	3 1/2"	1 1/16"
5133465	1	2 13/16"	4 9/16"	2 5/8"	2 15/16"	3 1/2"	1 5/16"



UL Listed  
 UL File # E98429  
 UL Category Code QCXJ  
 UL Control Number 39N9  
 Material Is Rigid PVC



<b>CANTEX</b> INC. Fort Worth, TEXAS		
<b>Type FSC Exposed Boxes</b>		
Drawn By: O.M.	Date: 5/24/17	Ref. 5133463