

INCANDESCENT

all-purpose, decorative and specialty lighting ...

Westinghouse offers a wide range of incandescent lamps to meet decorative, general purpose, low voltage, specialty and rough service applications.





C7

Energy Used (Watts)	Lamp Base	Item No.	Footnotes	Domestic Code	Volts	Master Carton/ Inner Pack	Pack Type	Finish	Filament Type	Avg. Rated Hours	Brightness (Lumens)	Life in Years*	Est. Yearly Energy Cost**	MOL
4	Cand.	03601		4C7/CB	120	100/10	Box	Clear	C7A	3000	20	2.7	\$0.48	2"
	Cand.	03794		4C7/CB 2CD	120	120/10	Card(2)	Clear	C7A	3000	20	2.7	\$0.48	2"
	Cand.	04794		4C7/CB 4CD	120	120/10	Card(4)	Clear	C7A	3000	20	2.7	\$0.48	2"
	Cand.	03795		4C7/W/CB 2CD	120	120/10	Card(2)	White	C7A	3000	19	2.7	\$0.48	2"
	Cand.	04795		4C7/W/CB 4CD	120	120/10	Card(4)	White	C7A	3000	19	2.7	\$0.48	2"
7	Cand.	03691		7C7/CB	120	100/10	Box	Clear	C7A	3000	45	2.7	\$0.84	2"
	Cand.	03791		7C7/CB 2CD	120	120/10	Card(2)	Clear	C7A	3000	45	2.7	\$0.84	2"
	Cand.	37202		7C7/CB 4CD	120	60/10	Card(4)	Clear	C7A	4000	43	3.6	\$0.84	2"
	Cand.	03692		7C7/W/CB	120	100/10	Box	White	C7A	3000	35	2.7	\$0.84	2"
	Cand.	03792		7C7/W/CB 2CD	120	120/10	Card(2)	White	C7A	3000	35	2.7	\$0.84	2"
	Cand.	37206		7C7/W/CB 4CD	120	60/10	Card(4)	White	C7A	4000	34	3.6	\$0.84	2"
7 1/2	Cand.	03228		7.5C7/CB	120	100/10	Box	Clear	C7A	3000	41	2.7	\$0.90	2"
10	Cand.	37207	1	10C7/CB 2CD	120	120/6	Card(2)	Clear	C7A	2000	50	1.8	\$1.20	2.11"
15	Cand.	37208	1	15C7/CB 2CD	120	120/6	Card(2)	Clear	C7A	3000	90	2.7	\$1.81	2.11"

S6

Energy Used (Watts)	Lamp Base	Item No.	Footnotes	Domestic Code	Volts	Master Carton/ Inner Pack	Pack Type	Finish	Filament Type	Avg. Rated Hours	Brightness (Lumens)	Life in Years*	Est. Yearly Energy Cost**	MOL
6	Cand.	03543	1	6S6/12V/CB 2CD	12	60/10	Card(2)	Clear	C2R	2000	35	1.8	\$0.72	1.79"
	Cand.	04025	1	6S6/CB 2CD	120	60/10	Card(2)	Clear	C7A	1500	32	1.3	\$0.72	1.88"
	Cand.	04525	4	6S6/CB/130	130	100/10	Box	Clear	C7A	1500	32	1.3	\$0.72	1.88"

S11

Energy Used (Watts)	Lamp Base	Item No.	Footnotes	Domestic Code	Volts	Master Carton/ Inner Pack	Pack Type	Finish	Filament Type	Avg. Rated Hours	Brightness (Lumens)	Life in Years*	Est. Yearly Energy Cost**	MOL
7 1/2	Med.	04064		7.5S11	120	60/10	Card	Clear	C7A	1500	53	1.3	\$0.90	2.25"
	Med.	04065		7.5S11/W	120	60/10	Card	White	C7A	1500	39	1.3	\$0.90	2.25"
	Med.	04067		7.5S11/R	120	60/10	Card	Red	C7A	2500	-	2.2	\$0.90	2.25"
	Med.	04564		7.5S11/130	130	100/10	Box	Clear	C7A	2500	52	2.2	\$0.90	2.25"
	Med.	04061		7.5S11/G/130	130	60/10	Card	Green	C7A	2500	-	2.2	\$0.90	2.25"
10	Inter.	03568		10S11/IN/130	130	60/10	Card	Clear	C7A	2500	80	2.2	\$1.20	2.25"
	Inter.	04568		10S11/IN/130	130	100/10	Box	Clear	C7A	2500	80	2.2	\$1.20	2.25"
18	S.C. Bay.	06311	1	18S11/SC/12V 2CD	12	60/6	Card(2)	Clear	C6	2000	200	1.8	\$2.17	2.25"
20	Cand.	03569	1	20S11/CB	120	60/10	Card	Clear	CC2V	1500	120	1.3	\$2.41	2.25"
25	Inter.	03534		25S11/IN	120	60/10	Card	Clear	CC2V	1000	180	0.9	\$3.01	2.25"
40	Inter.	03729		40S11/IN	120	60/10	Card	Clear	CC2V	1000	355	0.9	\$4.82	2.25"
	Inter.	03629		40S11/IN	120	100/10	Box	Clear	CC2V	1000	355	0.9	\$4.82	2.25"

* Based on 3 hrs./day

** Based on 3 hrs./day 11¢/kWh – Cost depends on rates and use.

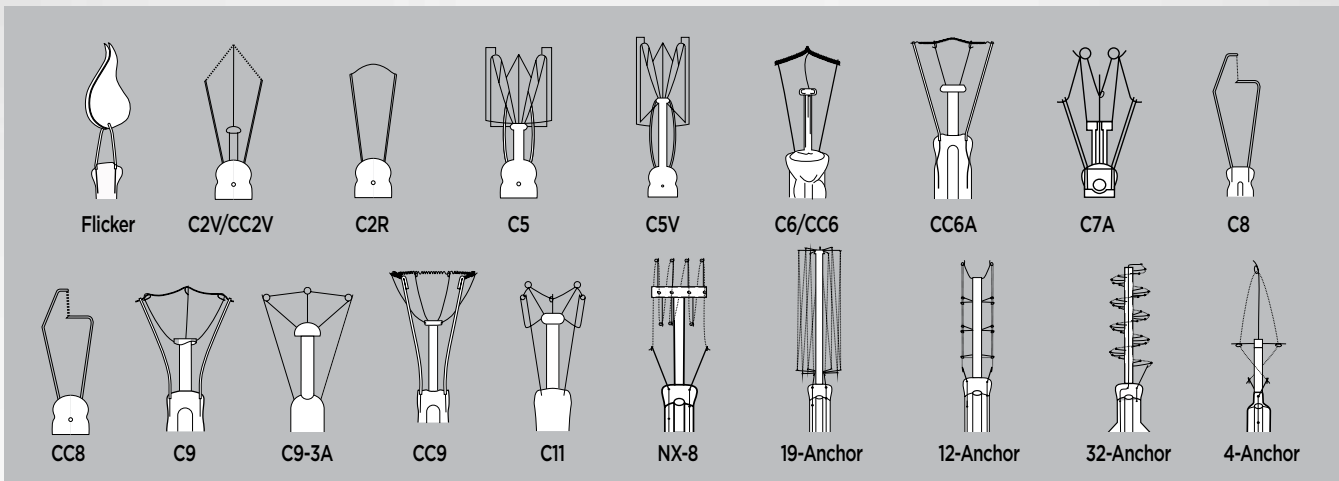
Footnotes

- 1 New Item
- 2 Canadian Standards Association
- 3 Eco-Halogen Energy-Saving Technology

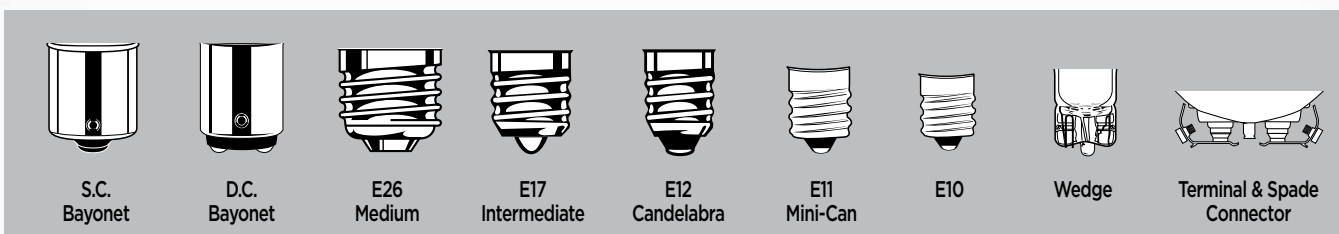
- 4 Commercial Service*
- 5 Fan
- 6 Non-Stick Base

- 7 Krypton(KR)
- 8 Vibration Resistant lamps are designed for vibration service only.
- 9 Rough Service lamps are designed for rough service applications.

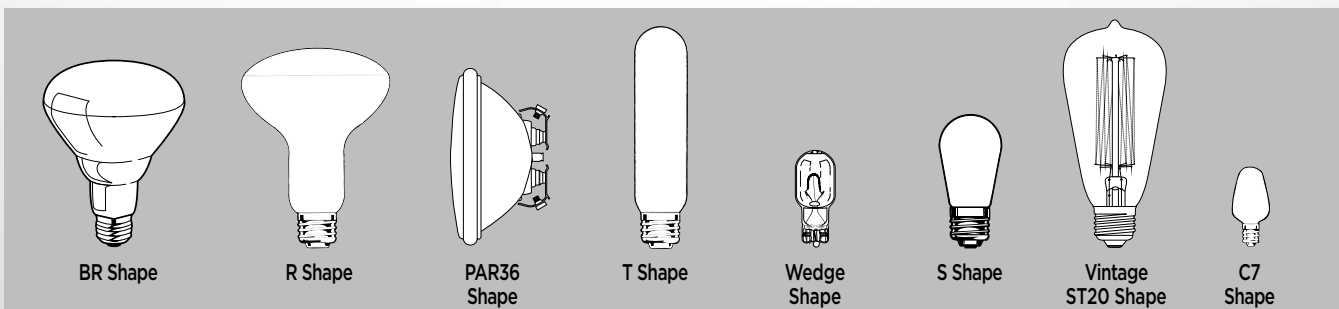
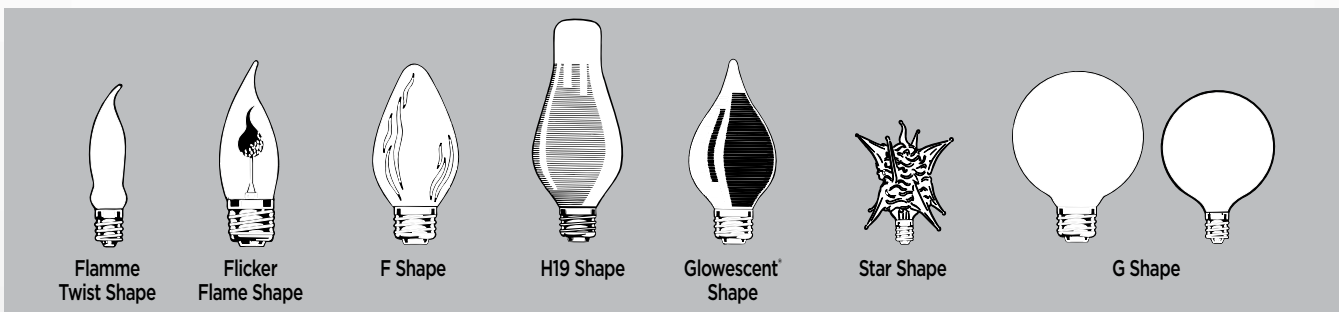
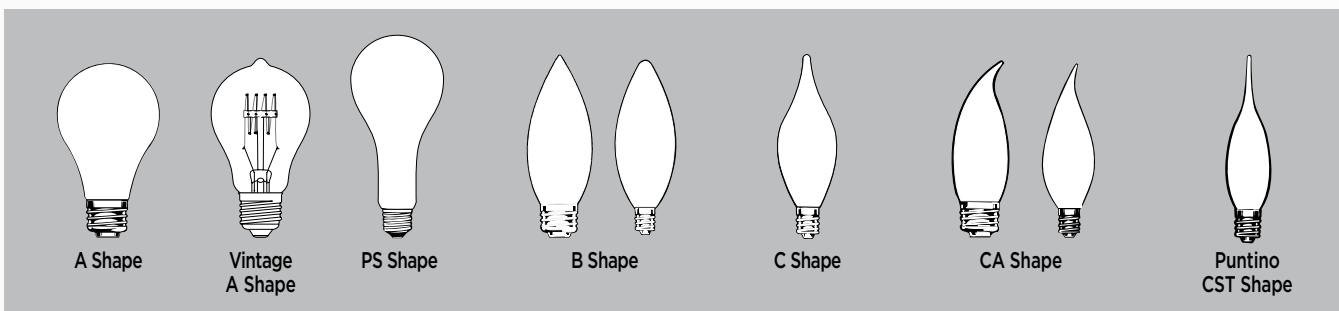
FILAMENT DESIGNATIONS



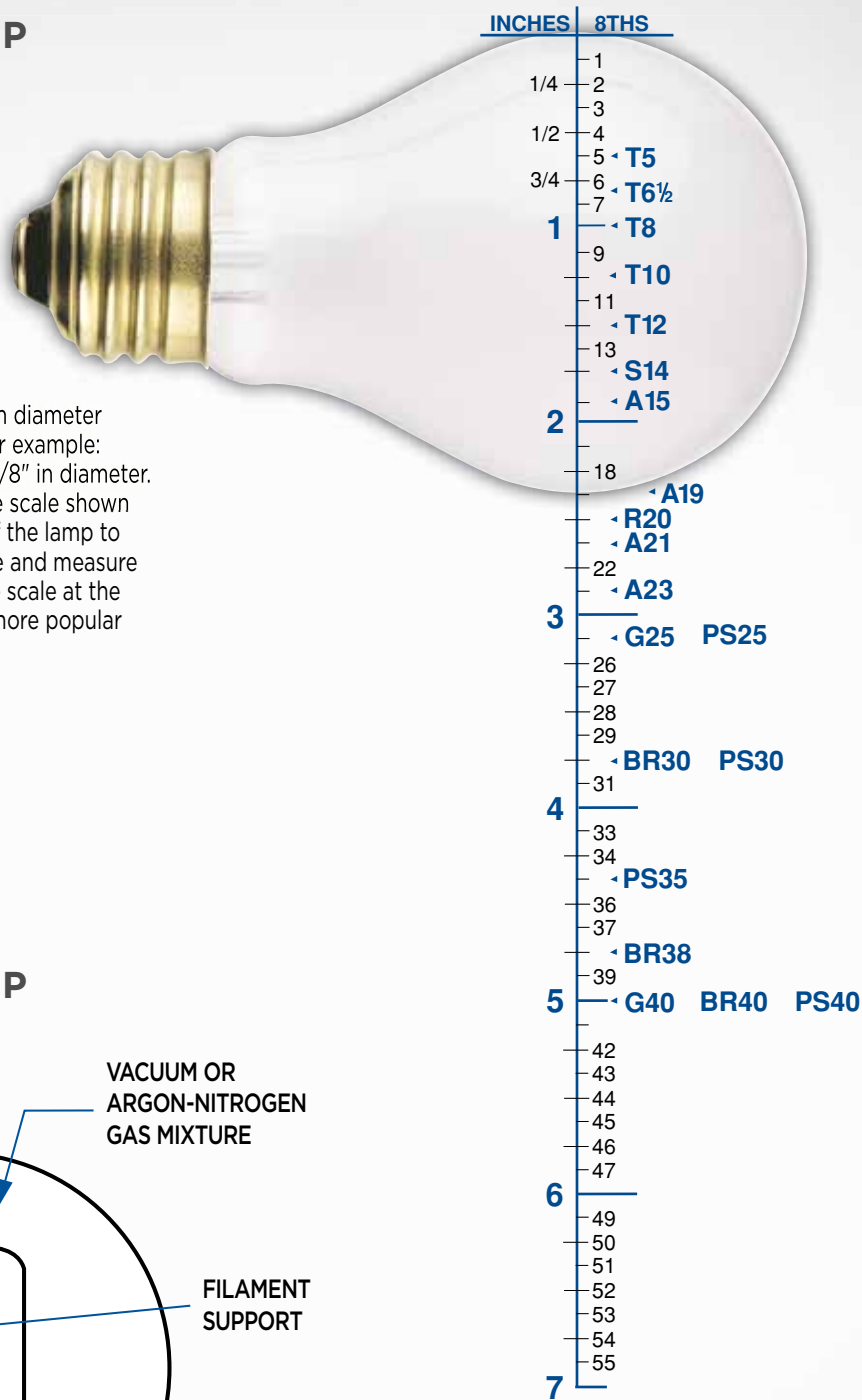
INCANDESCENT BASE TYPES



INCANDESCENT LAMP SHAPES



INCANDESCENT LAMP SIZE REFERENCE



LAMP SIZE (shown in actual size)

Lamp size is determined by the maximum diameter expressed in eighths of an inch (1/8"). For example: an A19 lamp is 19-eighths of an inch or 19/8" in diameter. To determine a lamp size, use the full size scale shown (calibrated in eighths). Place one edge of the lamp to be identified on the top edge of the scale and measure the approximate diameter by reading the scale at the opposite edge of the lamp. Sizes of the more popular lamp types are indicated on the scale.

INCANDESCENT LAMP COMPONENTS

