


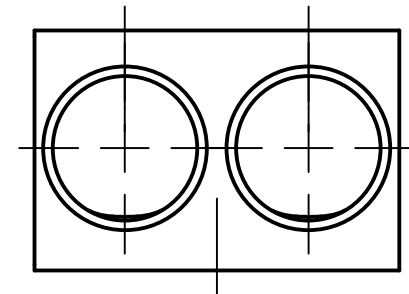
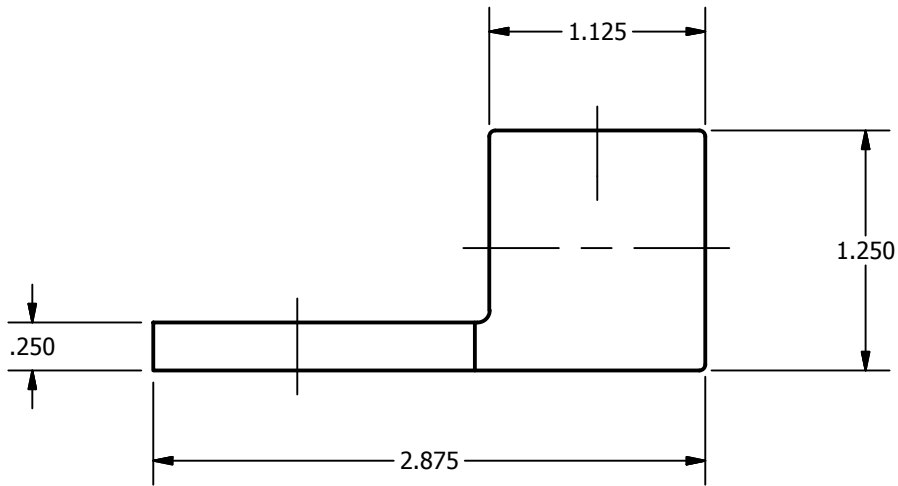
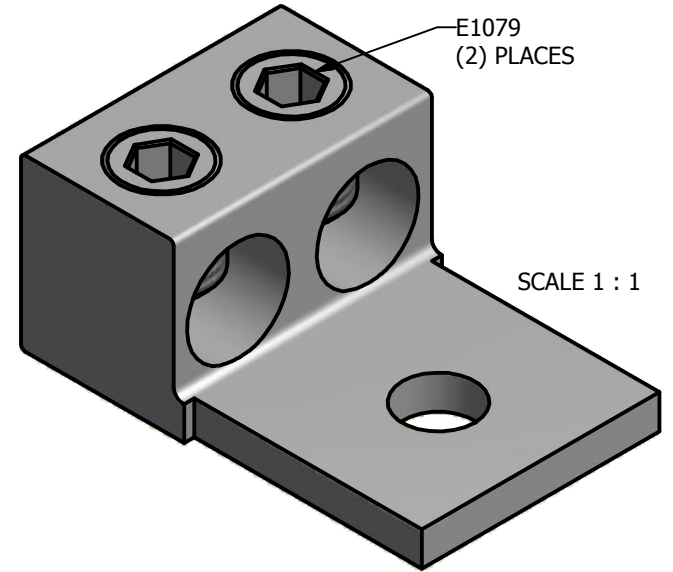
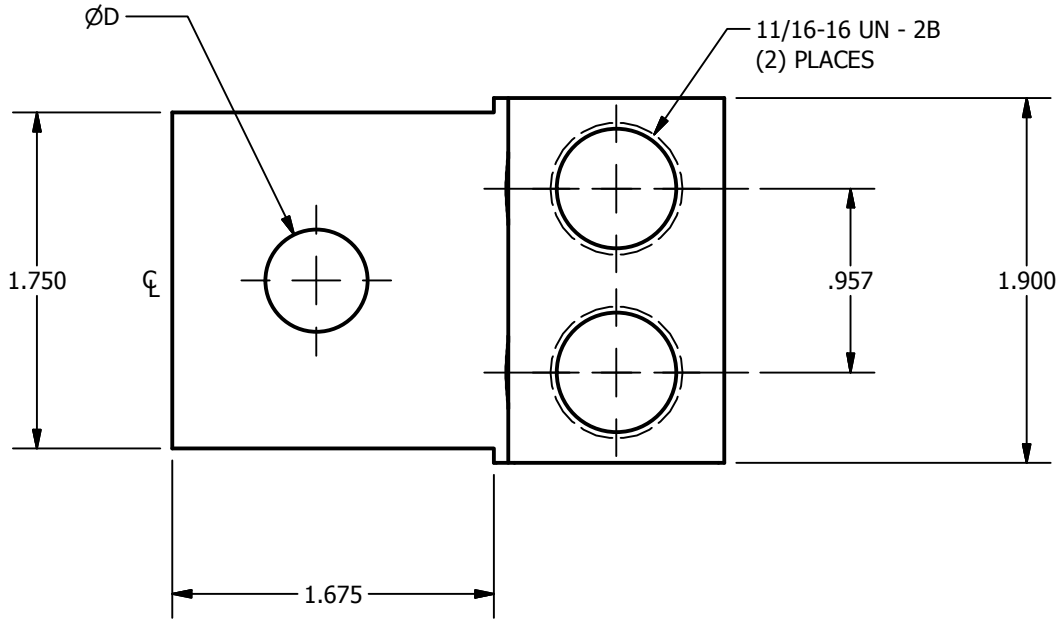


SCREW: E1079	MATERIAL: ALUMINUM	REV: AB	 800-776-9775 www.ilsco.com
CAT. NO.: AU-350	PLATING: EL-TIN	DRAWN BY: CLH SCALE:1:1	
INFORMATION SHEET: FORM 1	MARKING: ILSCO, D971, AU-350MCM-6, AL9CU,  	DATE:1/16/2008 SIZE: A	
			DWG. NO. D0971
			SHEET: 1 OF 1



D
.563
.531
.531