

NEW

WhisperGreen Select | One Fan - Multiple IAQ Solutions

FV-05-11VKSL1 30 to 110 CFM 4" or 6" Duct



INCLUDES: (2) replaceable, 7W ENERGY STAR® rated, GU24 base LED lamps. 3000 Kelvin/80+ CRI/ 550 Lumens per lamp/ 80 Lumens per watt/ 40,000 hours rated average life.

WhisperGreen Select Key Benefits:

- Customizable, all-in-one fan/LED light combination
- Pick-A-Flow™ speed selector – one fan, you choose the CFM
- Pre-installed multi-speed control module with high/low delay timer up to 60 minutes
- Plug 'N Play™ modules provide up to **two** value added features (select from SmartAction® Motion Sensor, Condensation Sensor or NiteGlo™ LED Night Light) (See page 12-13 for details)
- Revolutionary DC motor with SmartFlow™ technology for optimum CFM output
- Two replaceable, 7W, GU24 base LED lamps
- Flex-Z Fast™ installation bracket provides flexible, fast and easy installation
- Fits in 2 x 8 construction
- UL listed for tub/shower enclosure when used with a GFCI protected circuit
- Can be used to comply with ASHRAE 62.2, LEED, CALGreen, California Title 24, WA Ventilation Code and ENERGY STAR® for Homes 3.0

WhisperGreen Select Characteristics	FV-05-11VKSL1 (Base Fan with LED Light and Pre-installed Multi-Speed with Time Delay)																	
	0.1	0.25	0.1	0.25	0.1	0.25	0.1	0.25	0.1	0.25	0.1	0.25	0.1	0.25	0.1	0.25	0.1	0.25
Static pressure in inches w.g.	0.1	0.25	0.1	0.25	0.1	0.25	0.1	0.25	0.1	0.25	0.1	0.25	0.1	0.25	0.1	0.25	0.1	0.25
Air Volume (CFM)	110	114	100	105	90	94	80	86	70	71	60	62	50	53	40	43	30	35
Noise (sones)	0.4	0.9	<0.3	0.8	<0.3	0.6	<0.3	0.6	<0.3	0.4	<0.3	0.3	<0.3	<0.3	<0.3	<0.3	<0.3	<0.3
Power Consumption (Watts)	11.1	18.0	8.7	15.0	7.0	12.8	6.0	11.1	4.7	8.9	3.9	7.6	4.0	7.0	2.8	5.7	2.5	5.0
Energy Efficiency (CFMs/Watt)	9.9	6.3	11.6	7.1	13.1	7.5	13.3	7.7	15.3	8.2	15.9	8.4	12.8	7.7	14.6	7.7	12.8	7.4
Speed	960	1237	926	1213	872	1184	837	1157	796	1119	769	1102	740	1081	739	1077	731	1058
Current	0.12	0.17	0.09	0.15	0.08	0.13	0.07	0.12	0.05	0.09	0.05	0.08	0.04	0.07	0.04	0.06	0.03	0.06
Power Rating (V/Hz)	120/60																	



Pre-Installed Multi-Speed with Time Delay



SmartAction® Motion Sensor* (FV-MSVK1)



Condensation Sensor* (FV-CSVK1)



NiteGlo™ LED Night Light* (FV-NLVK1)

*Optional Add-On Feature



BUILT-IN SELF ADJUSTING AIRFLOW CAPABILITY



Flex-ZFast™



CALGreen



WhisperSense Lite | Moisture Control for CALGreen Compliance Solution

FV-08VQCL6 80 CFM 4" or 6" Duct
FV-11VQCL6 110 CFM 4" or 6" Duct



WhisperSense Lite Key Benefits:

- SmartAction® motion sensor automatically turns fan on when someone enters the room
- Humidity sensor detects rapid rise in relative humidity (RH) and automatically turns fan on to remove moisture to help prevent mold and mildew
- Dual sensor technology provides built-in redundancy that ensures proper fan operation
- Adjustable time delay – 30 seconds to 60 minutes
- Auto shutoff feature helps eliminate unnecessary energy usage and further reduce operating costs
- (2) 13W self ballasted GU24 base CFL lamps and a 4W night light
- Integrated dual 4" or 6" duct adapter
- Fits in 2 x 8 construction
- UL listed for tub/shower enclosure when used with a GFCI protected circuit
- Can be used to comply with ASHRAE 62.2, LEED, IAP, CALGreen, California Title 24 and WA Ventilation Code

WhisperSense Lite Characteristics	FV-08VQCL6	FV-11VQCL6		
Static pressure in inches w.g.	0.1	0.25	0.1	0.25
Air Volume (CFM)	80	62	110	89
Noise (sones)	<0.3	0.4	0.7	0.7
Power Consumption (Watts)	17.5	17.6	26.0	25.7
Energy Efficiency (CFMs/Watt)	4.7	3.6	4.3	3.5
Speed	881	1125	1017	1202
Current	0.16	0.15	0.23	0.22
Power Rating (V/Hz)	120/60		120/60	



Built-in Controls

See page 15 for details on three ways this fan can function.



INCLUDES: (2) 13W ENERGY STAR® rated self ballasted GU24 base CFL lamps and a 4W night light. 3500 Kelvin/ 80+ CRI/997 Lumens per lamp/75 Lumens per watt/ 10,000 hours rated average life at 3 hours per start.

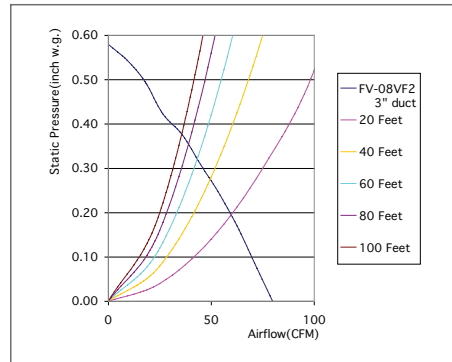


CALGreen

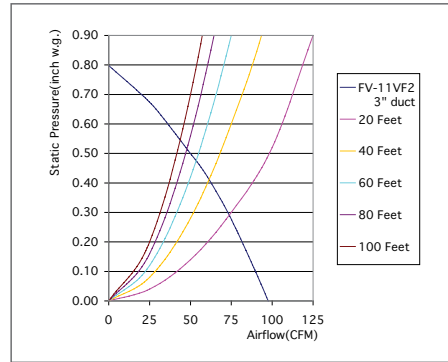




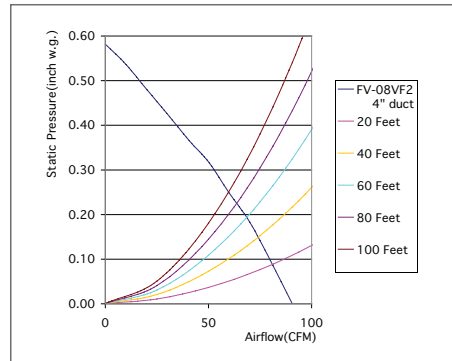
FV-08VF2 80 CFM 3" Duct



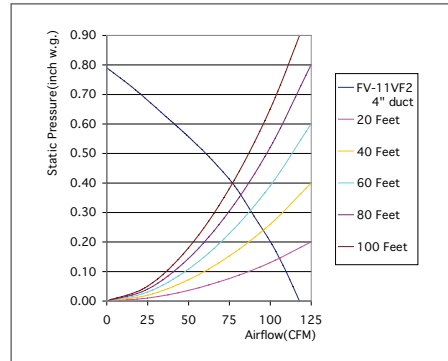
FV-11VF2 110 CFM 3" Duct



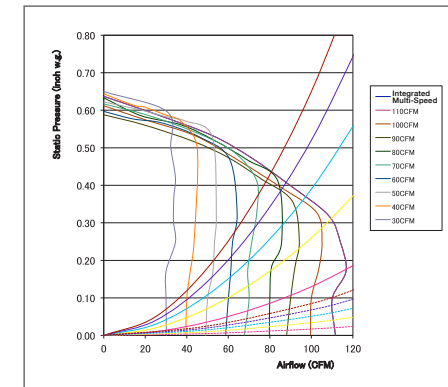
FV-08VF2 80 CFM 4" Duct



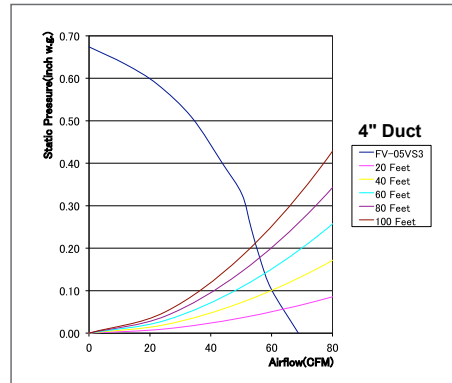
FV-11VF2 110 CFM 4" Duct



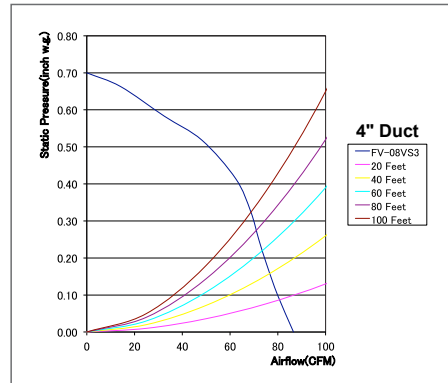
FV-05-11VKS1 30-110 CFM 4" or 6" Duct



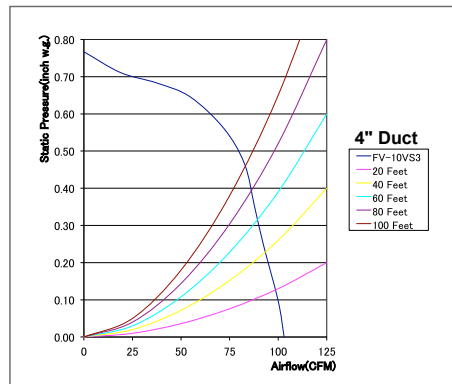
FV-05VS3 50 CFM 4" Oval Duct



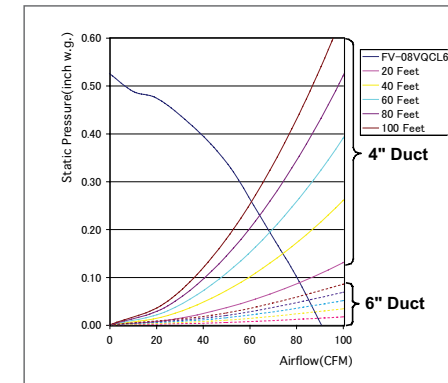
FV-08VS3 80 CFM 4" Oval Duct



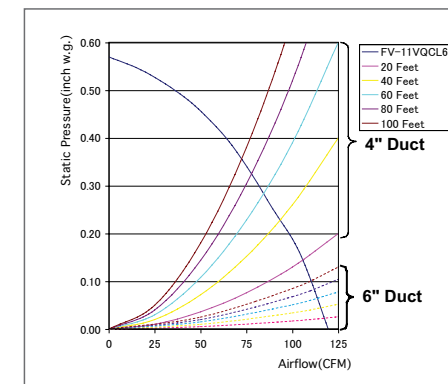
FV-10VS3 100 CFM 4" Oval Duct



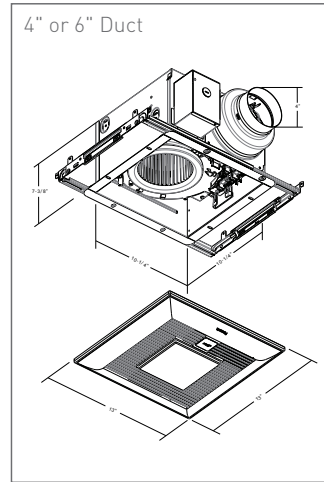
FV-08VQCL6 80 CFM 4" or 6" Duct



FV-11VQCL6 110 CFM 4" or 6" Duct

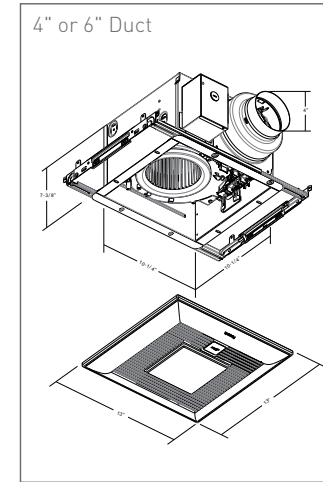


WhisperGreenSelect
VENTILATION FAN

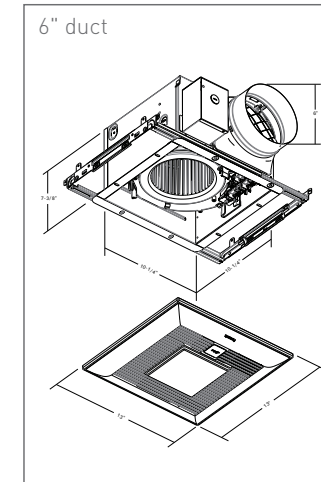


FV-05-11VKSL1

WhisperGreenSelect
VENTILATION FAN

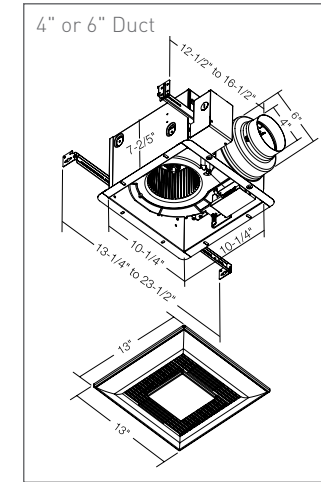


FV-05-11VKL1

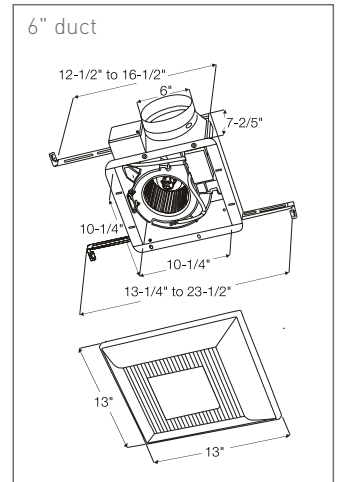


FV-11-15VKL1

WhisperLite
VENTILATION FAN

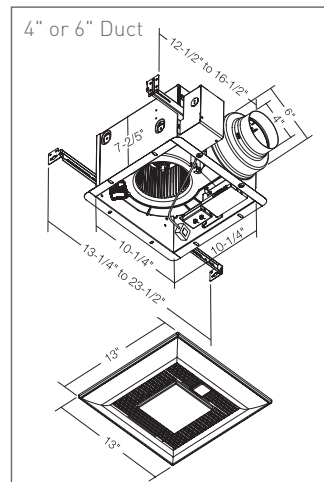


FV-08VQL6 / FV-11VQL6



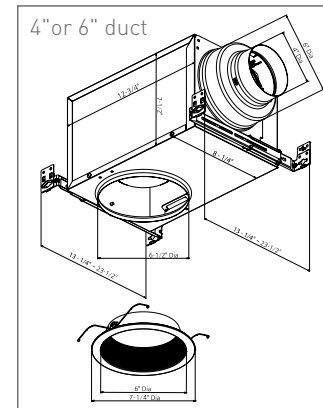
FV-15VQL6

WhisperSense Lite
VENTILATION FAN



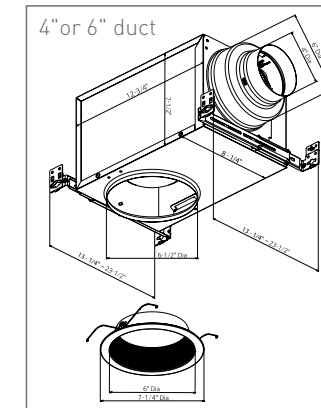
FV-08VQCL6 / FV-11VQCL6

WhisperRecessed LED
VENTILATION FAN



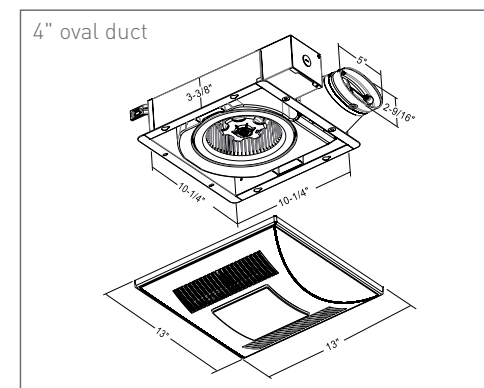
FV-08VRE1

WhisperRecessed
VENTILATION FAN



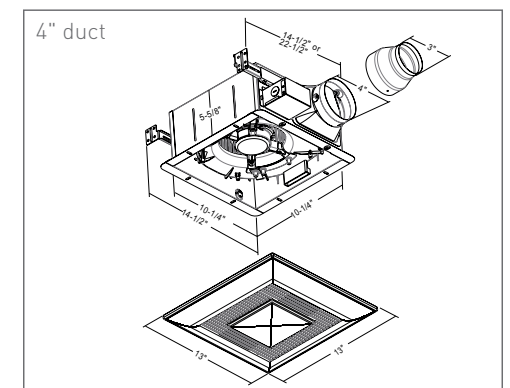
FV-08VRL1

WhisperValue Lite
VENTILATION FAN



FV-08VSL3 / FV-10VSL3

WhisperFit Lite
VENTILATION FAN



FV-05VFL4 / FV-08VFL4 / FV-11VFL4