


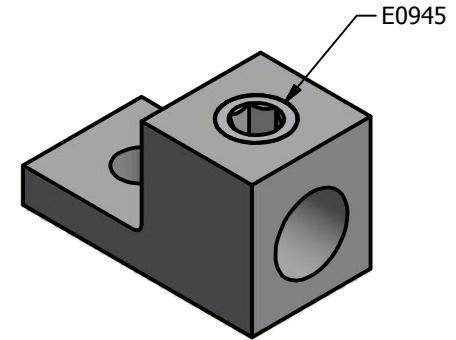
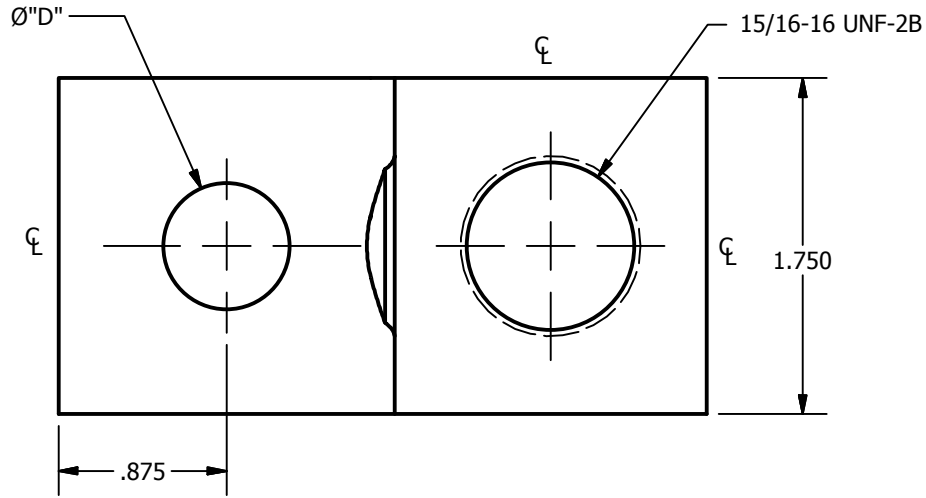
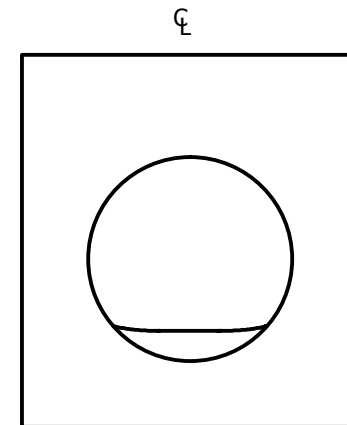
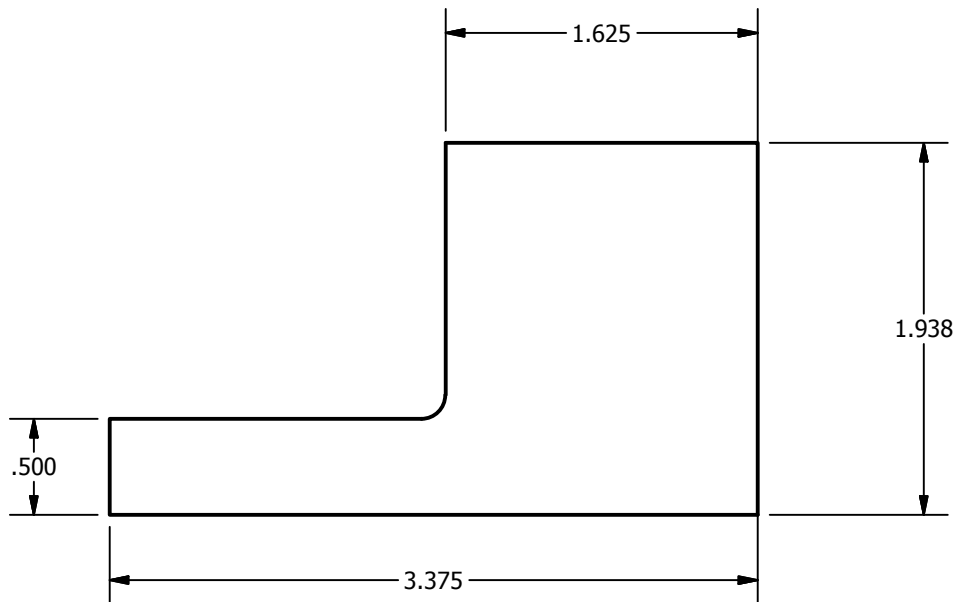


SCREW: E0945	MATERIAL: ALUMINUM	REV: Z	 800-776-9775 www.ilsco.com
CAT. NO.: TA-800	PLATING: EL-TIN	DRAWN BY: NN SCALE:1/2	
INFORMATION SHEET: FORM 1	MARKING: ILSCO, D1794, TA-800, 800-300MCM, AL9CU,  	DATE:12/12/2007 SIZE: A	
		DWG. NO. D1794	SHEET: 1 OF 1



SCALE 1 / 2



DIA. "D"
.656
.531