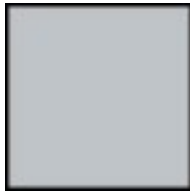




Color: Gray



NEMA: 5-20R



## 5362-GYS

UPC Code: 07847714116

Country of Origin: Mexico - *\*Eligible for ARRA funded projects > \$7,443,000*

### Description

20 Amp, 125 Volt, NEMA 5-20R, 2P, 3W, Industrial Series Heavy Duty Specification Grade, Duplex Receptacle, Straight Blade, Self Grounding, Contractor Pack, 8 Hole Feed Thru Back & Side Wired, Steel Strap - GRAY

### Product Features

Grounding: Self Grounding  
Face Material: Thermoplastic Nylon  
NEMA: 5-20R  
Body Material: Thermoplastic Nylon  
Strap Material: Steel  
Color: Gray



*\*Disclaimer*

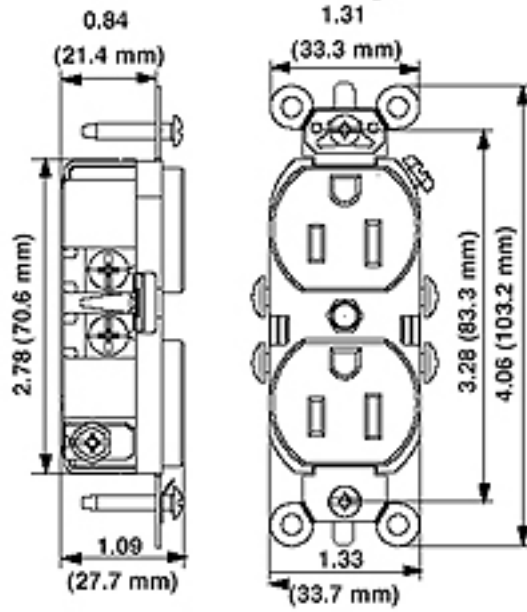
AC Horsepower Ratings	
At Rated Voltage	1 HP
Environmental Specifications	
Flammability	Rated V-2 per UL94
Operating Temperature	-40C to 60C
Mechanical Specifications	
Terminal ID	Brass-Hot, Green-Ground, White-Neutral
Terminal ID	Brass-Hot, Green-Ground, Silver-Neutral
Terminal Accom.	14-10 AWG
Product ID	Ratings are permanently marked on device
Torque Range	14-16 inch pounds

Electrical Specifications	
Grounding	Self-Grounding
Amperage	20 Amp
Voltage	125 Volt
NEMA	5-20R
Pole	2
Wire	3
Dielectric Voltage	Withstands 2000V per UL498
Current Limiting	Full Rated Current
Temperature Rise	Max 30C after 250 cycles OL at 200 percent rated current

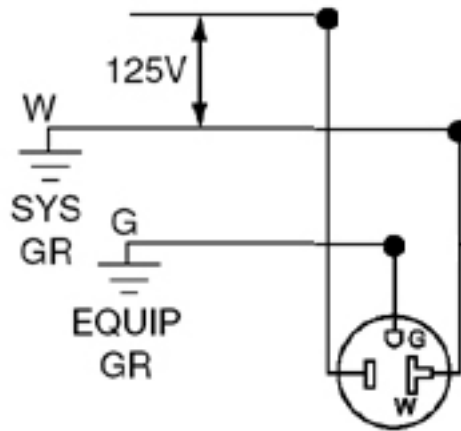
Material Specifications	
Face Material	Thermoplastic Nylon
Body Material	Thermoplastic Nylon
Grounding Screw	Brass 8-32
Clamp Nuts	Zinc-Plated Steel
Ground Clips	Brass-Plated
Face Material	Nylon
Body Material	Nylon
Strap Material	Galvanized Steel with Riveted Ground Contacts
Line Contacts	Brass Triple-Wipe
Terminal Screws	Brass 10-32
Grounding Screw	Steel 8-32
Clamp Nuts	Galvanized Steel
Ground Clips	Brass
Color	Gray

Standards and Certifications	
NEMA	WD-1 & WD-6
ANSI	C-73
UL498	File E13399
UL Fed Spec WC-596	File E13399
CSA C22.2 No. 42	File 152105
NOM	057
Warranty	2 Year Limited

### Dimensional Diagram



### Wiring Diagram



5-20R

### SPECIFICATION SUBMITTAL

JOB NAME:	CATALOG NUMBERS:	
<input type="text"/>	<input type="text"/>	<input type="text"/>
JOB NUMBER:	<input type="text"/>	<input type="text"/>

**Leviton Manufacturing Co., Inc.**

201 North Service Road, Melville, NY 11747

Telephone: 1-800-323-8920 · FAX: 1-800-832-9538 · Tech Line (8:30AM-7:30PM E.S.T. Monday-Friday): 1-800-824-3005

**Leviton Manufacturing of Canada, Ltd.**

165 Hymus Boulevard, Pointe Claire, Quebec H9R 1E9 · Telephone: 1-800-469-7890 ·

FAX: 1-800-824-3005 · [www.leviton.com/canada](http://www.leviton.com/canada)

**Leviton S. de R.L. de C.V.**

Lago Tana 43, Mexico DF, Mexico CP 11290 · Tel.: (+52)55-5082-1040 · FAX: (+52)5386-1797 ·

[www.leviton.com.mx](http://www.leviton.com.mx)



**Visit our Website at: [www.leviton.com](http://www.leviton.com)**

© 2007-2018 Leviton Manufacturing Co., Inc. All rights reserved. Subject to change without notice.

**Leviton has a global presence.**

If you would like to know where your local Leviton office is located please go to:

[www.leviton.com/international/contacts/](http://www.leviton.com/international/contacts/)

*\*Buy American Compliant Logo -- The American Recovery And Reinvestment Act of 2009 ("ARRA") provides federal grants and loans for projects throughout the country. Section 1605 of the Act, named the "Buy American" provision, requires that certain materials and manufactured products used in projects funded by the Act be manufactured in the United States. The appearance of the Recovery Act Logo in relation to a Leviton product is only intended to reflect that such product may be used in an ARRA funded project. It does not mean that such product or Leviton is sponsored or endorsed by, or that Leviton receives funds from, the federal government or the Recovery Accountability and Transparency Board. Nothing in Leviton's use of the logo is intended to suggest anything regarding the requirements for funding under ARRA.*