
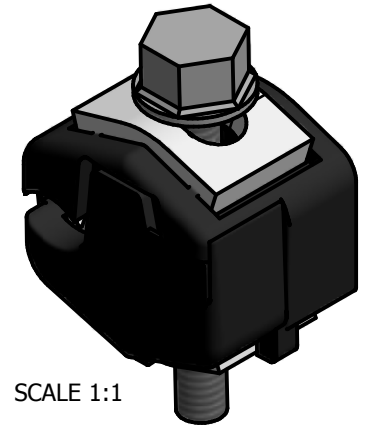
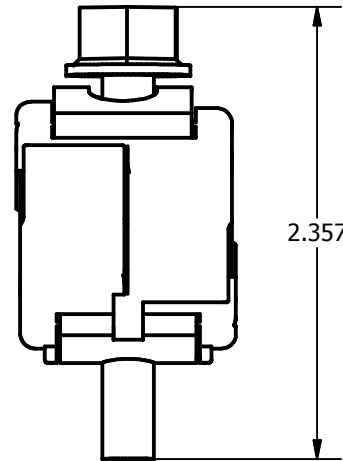
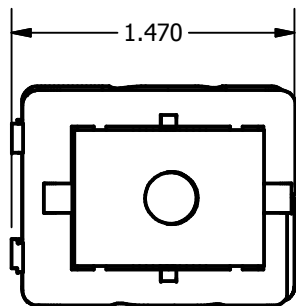
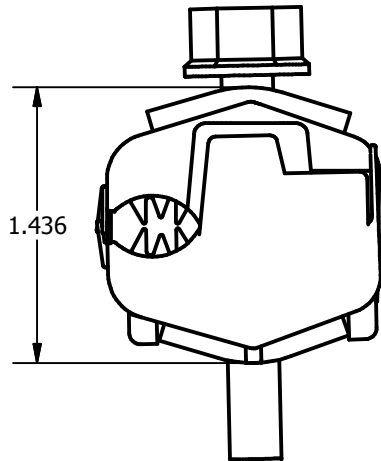
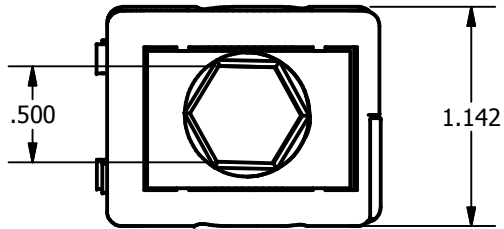


SCREW: 130040	MATERIAL: SEE NOTES 1 & 2	REV: D		
CAT. NO.: IPC-1/0-2 & IPC-1/0-2-B	PLATING: NONE	DRAWN BY: JG	SCALE: 2:1	800-776-9775 www.ilsco.com
INFORMATION SHEET: FORM 65	MARKING: NONE	DATE: 2/11/2008	SIZE: A	DWG. NO. K0422
				SHEET: 1 OF 1



SCALE 1:1

- NOTES:
1. NYLON BODY
 2. TIN PLATED COPPER TEETH
 3. WIRE RANGE - MAIN 1/0 - 8
TAP 2 - 8