
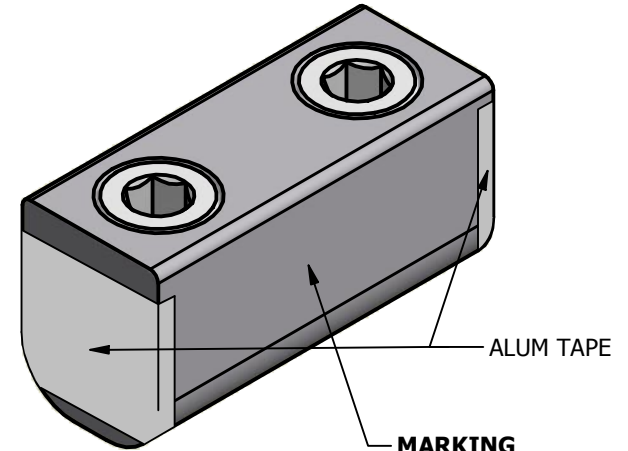
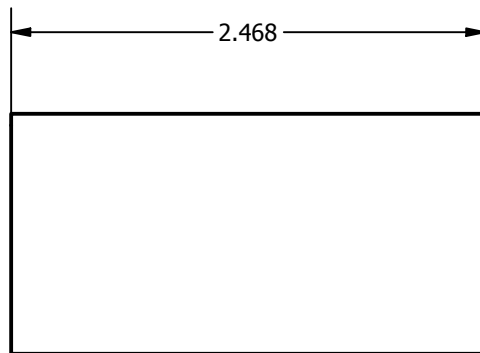
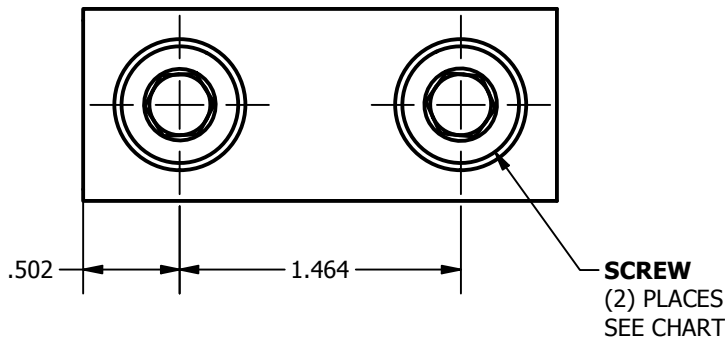


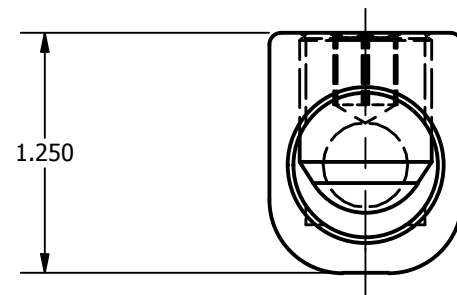


SCREW: SEE CHART	MATERIAL: ALUMINUM	REV: AA		
CAT. NO.: SEE CHART	PLATING: SEE CHART	DRAWN BY: CLH	SCALE: 1:1	800-776-9775 www.ilsco.com
INFORMATION SHEET: FORM 159 FORM 96	MARKING: SEE BELOW	DATE: 1/3/2008	SIZE: A	DWG. NO. D6473
				SHEET: 1 OF 1



 , ILSCO, D6473, 
350MCM-10, STR
SPA-350 AL9CU

UTILCO, UD-6452
350-10, AL-CU



CAT. NO.	PLATING	SCREW	TAPE
SPA-350	EL-TIN	E6141	NONE
SPA-350P	EL-TIN	E6141	NONE
SPA-350-U	EL-TIN	E6141	R7053
UD6452	WAX	E6141	NONE
ASR3506	EL-TIN	E0953	NONE