



UPC Code: 07847705718

Country Of Origin: Mexico

NEMA:
5-20R



8300-SGI

Item Description

Duplex Receptacle Outlet, Extra Heavy-Duty Hospital Grade, Tamper-Resistant, Smooth Face, 20 Amp, 125 Volt, Back or Side Wire, NEMA 5-20R, 2-Pole, 3-Wire, Self-Grounding - Ivory

Technical Information

AC Horsepower Ratings

Horsepower Rating: 1 HP

Electrical Specifications

Current Limiting: Full Rated Current

Dielectric Voltage: Withstands 2000V per UL498

Temperature Rise: Max 30C after 250 cycles OL at 200 percent rated current

Amperage: 20 A

Grounding: Self-Grounding

Pole: 2

Voltage: 125 VAC

Wire: 3

Environmental Specifications

Flammability: Rated V-2 per UL94

Operating Temperature: -40°C to 60°C

Material Specifications

Body Material: Nylon

Clamp Nuts: Nickel-Plated Brass

Face Material: Nylon

Ground Clips: Nickel-Plated Brass

Grounding Screw: Nickel-Plated Brass 8-32

Line Contacts: Nickel-Plated Brass Triple-Wipe .031 Thick

Terminal Screws: Nickel-Plated Brass 10-32

Yoke: Nickel-Plated Brass

Mechanical Specifications

Product ID: Ratings are permanently marked on device

Terminal Accom.: 14-10 AWG

Terminal ID: Brass-Hot, Green-Ground, White-Neutral

Termination: Back or Side Wire

Product Features

Amperage: 20 A

Body Material: Nylon

Color: Ivory

Device Type: Duplex Receptacle Outlet

Face Material: Nylon

Feature: Tamper-Resistant

Grade: Extra Heavy-Duty Hospital Grade

Grounding: Self-Grounding

NEMA: 5-20R

Pole: 2

Standards and Certifications: UL/CSA

Strap Material: Nickel Plated Brass

Voltage: 125 VAC

Warranty: 10 Year Limited

Wire: 3

Feature 2: Tamper-Resistant

Feature 4: Smooth Face

Standards and Certifications

ANSI: C-73

CSA C22.2 No. 42: File 152105

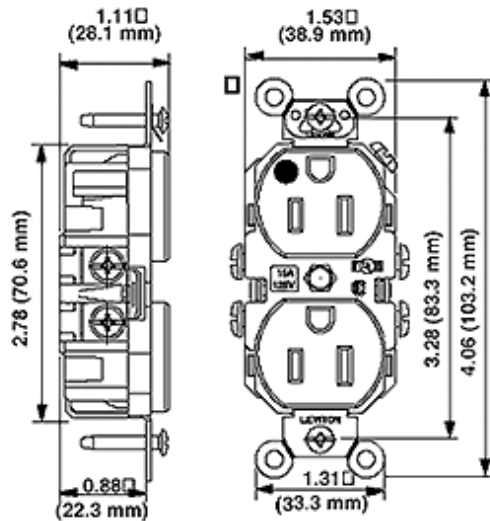
NEMA: WD-1 & WD-6

NOM: 057

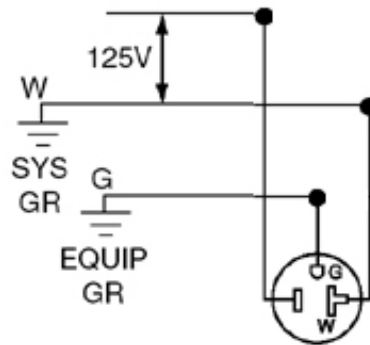
RoHS: Compliant

UL498HG: File E13399

UL Fed Spec WC-596: File E13399



Wiring Diagram



5-20R

SPECIFICATION SUBMITTAL

JOB NAME:	CATALOG NUMBERS:	
<input type="text"/>	<input type="text"/>	<input type="text"/>
JOB NUMBER:	<input type="text"/>	<input type="text"/>

Leviton Manufacturing Co., Inc.

201 North Service Road, Melville, NY 11747

Teléfono: +1-800-323-8920 · FAX: +1-800-832-9538 · Tech Line (8:30AM-7:30PM E.S.T. Monday-Friday): +1-800-824-3005

Leviton Manufacturing of Canada, Ltd.

165 Hymus Boulevard, Pointe Claire, Quebec H9R 1E9 · Telephone: +1-800-469-7890 ·

FAX: +1-800-824-3005 · www.leviton.com/canada

Leviton S. de R.L. de C.V.

Lago Tana 43, Mexico DF, Mexico CP 11290 · Tel.: (+52)55-5082-1040 · FAX: (+52)5386-

1797 · www.leviton.com.mx

Visit our Website at: www.leviton.com

© 2018 Leviton Manufacturing Co., Inc. Todos los derechos reservados. Subject to change without notice.

Leviton has a global presence.

If you would like to know where your local Leviton office is located please go to:

www.leviton.com/international/contacts/

